



TS16

Ex-Temperature Switch, bimetal, fixed setpoint:

The electric temperature switch TS16 is designed to switch electrical devices with respect to the ambient temperature. The switching point depends on the chosen bimetal switch. The setpoint as well as the functional principle, meaning opening or closing, have to be defined during order and will be preset during production phase. As a standard the TS16 comes as an opener.

Options and Accessories:

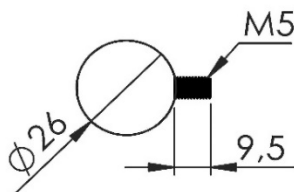
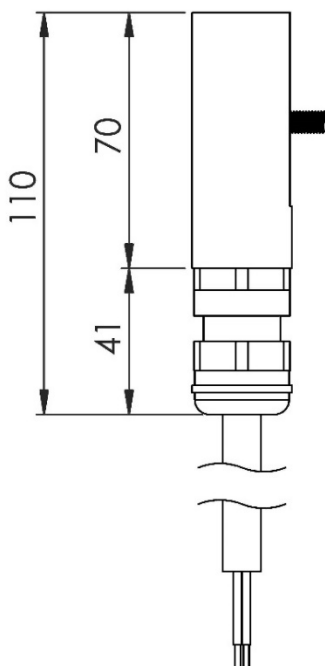
- Thermostat body made of SS 1.4301 (SS304)
- VD Cable gland with connection thread M16 for direct mounting to e.g. junction box
- TS 16C Contacts close at temperature rise (e.g. fan control)
Setpoint (maximum): 10°C, 20°C, 25°C, 30°C, 35°C, 40°C, 50°C, 60°C, 70°C
- TS 16O Contacts open at temperature rise (e.g. heater control)
Setpoint (minimum): 10°C, 15°C, 20°C, 30°C, 40°C, 50°C, 60°C, 70°C, 80°C
- TS 16Z Special design – e.g. setpoints different from standard, golden contacts, armoured cable

Marking:

Gas:	II 2 G Ex db IIC T4 / T3 Gb
Dust:	II 2 D Ex tb IIIC T135°C / T200°C Db
EC Type Examination Certificate:	EPS 15 ATEX 1042
IECEXCertificate:	IECEX EPS 15.0056
EAC Ex Certificate:	RU C-DE.EX01.B.00032/19

Technical Data:

Setpoint:	Defined with order
Tolerance:	±3°and hysteresis 6°C up to 90°C, ±5°C and hysteresis 10°C over 90°C
Rated Voltage:	250VAC
Rated Current:	16A
Connection Cable:	Silicone 3 x 2,5 mm ² , Ø 9,7 mm, 3 m
Weight:	app. 0,6 kg
Ambient Temperature:	T4: -60°C - +80°C / T3: -60°C - +140°C
Degree of Protection:	IP 68
Enclosure:	Aluminum, saltwater-proof (optional SS 1.4301)
Cable Gland	M20 x 1,5, Nickel Plated Brass





TS16

Ex-Temperature Switch, bimetal, fixed setpoint:

The electric temperature switch TS16 is designed to switch electrical devices with respect to the ambient temperature. The switching point depends on the chosen bimetal switch. The setpoint as well as the functional principle, meaning opening or closing, have to be defined during order and will be preset during production phase. As a standard the TS16 comes as an opener.

Options and Accessories:

- TS 16C Contacts close at temperature rise (e.g. fan control)
Setpoint (maximum): 10°C, 20°C, 25°C, 30°C, 35°C, 40°C, 50°C, 60°C, 70°C
- TS 16O Contacts open at temperature rise (e.g. heater control)
Setpoint (minimum): 10°C, 15°C, 20°C, 30°C, 40°C, 50°C, 60°C, 70°C, 80°C
- TS 16Z Special design – e.g. setpoints different from standard, golden contacts, armoured cable

Marking:

Gas:	II 2 G Ex db IIC T4 / T3 Gb
Dust:	II 2 D Ex tb IIIC T135°C / T200°C Db
EC Type Examination Certificate:	EPS 15 ATEX 1042
IECEXCertificate:	IECEX EPS 15.0056
EAC Ex Certificate:	RU C-DE.EX01.B.00032/19

Technical Data:

Setpoint:	Defined with order
Tolerance:	±3° and hysteresis 6°C up to 90°C, ±5°C and hysteresis 10°C over 90°C
Rated Voltage:	250VAC
Rated Current:	16A
Connection Cable:	Silicone 3 x 2,5 mm ² , Ø 9,7 mm, 3 m
Weight:	app. 0,6 kg
Ambient Temperature:	T4: -60°C - +80°C / T3: -60°C - +140°C
Degree of Protection:	IP 68
Enclosure:	Aluminum, saltwater-proof
Cable Gland:	M25 x 1,5, Nickel Plated Brass

