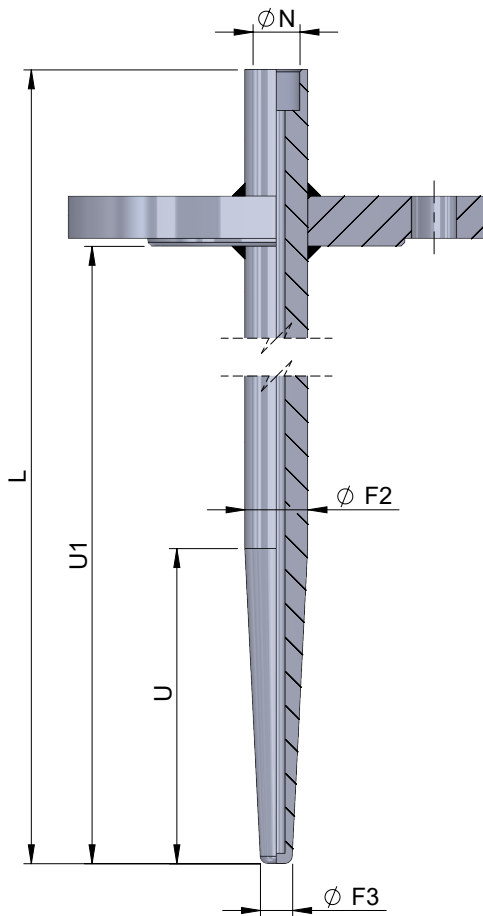


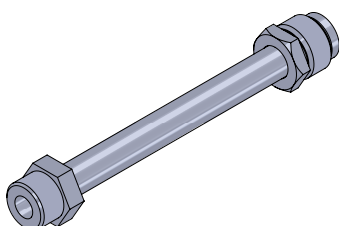
Schutzrohr Form 4F - DIN 43772 | Thermowell Form 4F - DIN 43772

Schutzrohr zum Anflanschen aus Vollmaterial mit konisch zulaufender Spitze. Die Maße sind gemäß DIN 43772.
 Flange Thermowell made from solid material with tapered tip. The measures are acc. DIN 43772.



| Länge L Length L | Konus U Cone U | Länge U1 Length U1 | | | |
|--|------------------|----------------------|----------|----|----|
| 200 mm | 65 mm | 130 mm | 1 | 01 | |
| 260 mm | 125 mm | 190 mm | 2 | | |
| 410 mm | 275 mm | 340 mm | 3 | | |
| _____ mm | _____ mm | _____ mm | C | | |
| Ø N | Bohrung bore | Ø F2 | Ø F3 | | |
| M14 x 1,5 | 3,5 mm | 18 h7 | 9 mm | 1 | 02 |
| M18 x 1,5 | 7 mm | 24 h7 | 12,5 mm | 2 | |
| G 1/2" | 7 mm | 26 h7 | 12,5 mm | 3 | |
| G 1/2" | 9 mm | 26 h7 | 15,0 mm | 4 | |
| | _____ mm | | _____ mm | C | |
| Flansch Flange | | | | | |
| DN25/PN40 B1 DIN EN 1092-1 | | | 1 | 03 | |
| DN40/PN40 B1 DIN EN 1092-1 | | | 2 | | |
| DN50/PN16 B1 DIN EN 1092-1 | | | 3 | | |
| DN50/PN40 B1 DIN EN 1092-1 | | | 4 | | |
| Andere Ausführung (bitte angeben) other version (please specify) | | | C | | |
| Werkstoff Material | | | | | |
| 1.4571 ASTM A182 Grade F316Ti | | 1 | 04 | | |
| 1.4404 ASTM A182 Grade F316L | | 2 | | | |
| 1.0460 ASTM A105 | | 3 | | | |
| anderer Wst. (siehe Liste) different Mat. (please refer material list) | | C | | | |
| Beschichtung Coating | | | | | |
| ECTFE (Halar) | | 1 | 05 | | |
| PFA | | 2 | | | |
| Tantal Tantalum (sleeve) | | 3 | | | |
| Andere Ausführung (bitte angeben) other version (please specify) | | C | | | |
| Dokumentation Documentation | | | | | |
| Materialprüfzeugnis Material certificate 3.1 - EN 10204 | | 1 | 06 | | |
| Druckprüfung (außen) Pressure test (external) | | 2 | | | |
| Schutzrohrberechnung Strength calculation (DIN / ASME) | | 3 | | | |
| Ohne / none | | K | | | |

Halsrohr (siehe Katalogblatt "Zubehör")
 Necktube (please refer to catalogue sheet "equipment")



SR41.

| | | | | | |
|----|----|----|----|----|----|
| 01 | 02 | 03 | 04 | 05 | 06 |
| | | | | | |