

## Series P 4

Single layer design, thermal conductivity  $k = 5 \text{ W/m}^2\text{K}$

Single layer design with aluminium covered polyurethane insulation 16 mm, thermal conductivity  $k = 1.2 \text{ W/m}^2\text{K}$

- For wall and tubular stand suspension
- Assembly-friendly and low maintenance, corrosion- and seawater-resistant
- Colour RAL 7032
- High quality sealing rubber guarantees protective system IP 65
- Central draw latches and other fitting parts made of stainless steel
- 4 stainless steel mounting components in the housing back for suspending the box and for installing interior equipment
  
- **P 4.000 and P 4.001:** small dimensions, boxes can be suspended in a row; lateral opening, assembly-friendly housing back; installation of metrological conduits behind housing back possible
  
- **P 4.100 up to P 4.320:** Assembly back and simple to hang in protective hood with different depth-dimensions; oblong format (**Q**) is partly possible
  
- **SCHRAMM-Multidoor:** Function of hood is like a door when attached right (**MR**) or attached left (**ML**) with stainless steel hinges; function of hood is like a protective roof (**MO**, top attachment) with one hood locking devices

### Manufacturing Program:

#### Model series P 4.0

box dimensions h x w x d	protection box model	page
465 x 300 x 350 .....	<b>P 4.000</b> .....	6.01
565 x 425 x 370 .....	<b>P 4.001</b> .....	6.02

#### Model series P 4.1, P 4.2, P 4.3

box dimensions h x w x d	protection box model	possible design	page
450 x 450 x 475 .....	<b>P 4.100</b> .....	M. ....	6.03
450 x 450 x 310 .....	<b>P 4.110</b> .....	M. ....	6.03
600 x 450 x 475 .....	<b>P 4.200</b> .....	M., Q .....	6.04
600 x 450 x 310 .....	<b>P 4.210</b> .....	M., Q .....	6.04
700 x 500 x 475 .....	<b>P 4.300</b> .....	M., Q .....	6.05
700 x 500 x 310 .....	<b>P 4.310</b> .....	M., Q .....	6.05
700 x 500 x 475 .....	<b>P 4.320</b> (with door in front) ...		6.06

### Order Example:

Protection box model P 4.210 MO, window acrylic glass  
 P 4 = series, 210 = model, MO = Multidoor, hinged at the top (function like protective roof); extra equipment will be declared behind model number.

### Extra Equipment:

- Other RAL colour tone
- Reduced electrical surface resistance in accordance with EN 60079-0 ( $<10^9 \Omega$ ), necessary in ex-proof-Zone 1
- Profile rubber sealed observation window made of laminated safety glass or acrylic glass in the protective hood
- Device for mounting oblong format (P 4.2.. und P 4.3..)
- Thermal insulation (16 mm) with aluminium covered polyurethan as radiation mirror (see „Accessories“)
- Electrical heating in normal and ex-proof design (see „Heating syst.“)
- Steam and hot water heating (see „Heating systems“)
- Ventilation systems (see „Accessories“)
- Mounting plate, sheet steel 2.5 mm, galvanized (see „Accessories“)
- Assembly rack, C-formed steel, cold galvanized (see „Accessories“)
- Assembly frame swivelling or fixed with mounting plate (steel, galv.)
- Wall entrances for cable and pipes (temperature resistant up to 200°C) (see „Accessories“)
- Insulating pipe adaptor made of fiberglass reinforced polyester (see „Accessories“)
- Brackets made of stainless steel 40x8 for mounting at wall (see „Accessories“)
- Tubular stand 2“ or 3“ (steel, galvanized) (see „Accessories“)
- Pipe clips 2“ or 3“ (steel, galvanized) (see „Accessories“)
- Tubular adaptors 2“ for internal mounting (steel, galvanized) (see „Accessories“)
- Installation of customer’s equipment on request and delivery

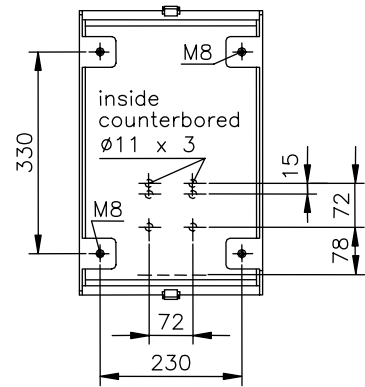
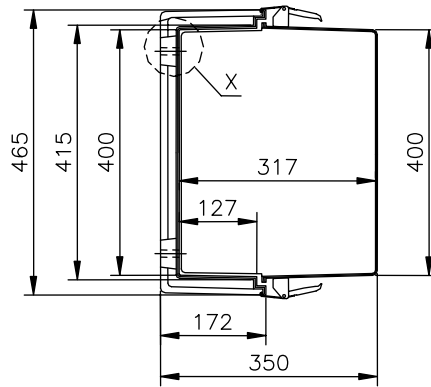
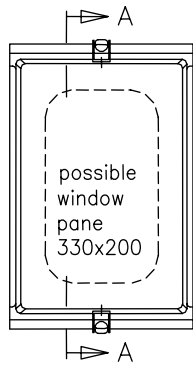


**P 4.0**

Single layer construction, thermal conductivity  $k = 5 \text{ W/m}^2\text{K}$ , protective system IP 65, silver grey with reduced electrical surface resistance in accordance with DIN EN IEC 60079-0 ( $<10^9 \Omega$ )  
 Other technical data and extra equipment: page 6.00

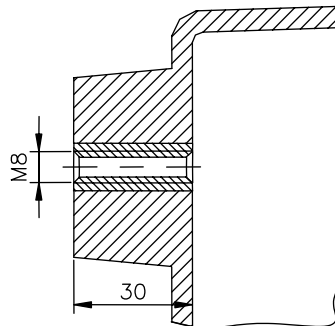
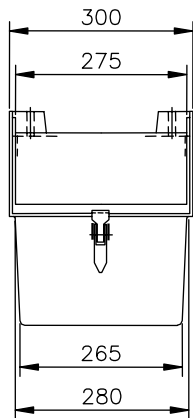
**P 4.000** (weight appr. 6 kg) • depth overall 350 mm

**Mounting plate:** h = 350 mm, w = 250 mm, weight appr. 2 kg



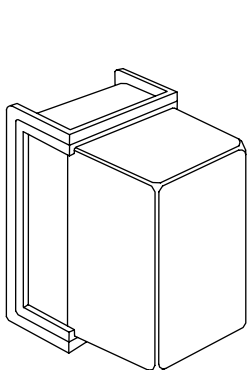
Section A - A

Back View

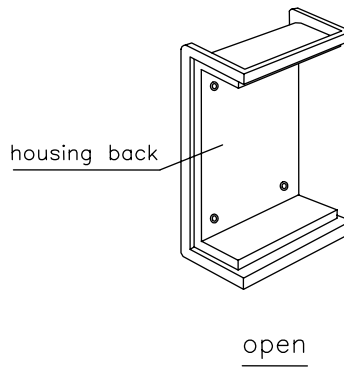


Detail X

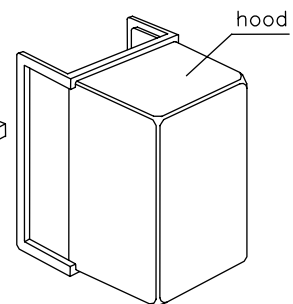
threaded insert  
(stainless steel)



united



open

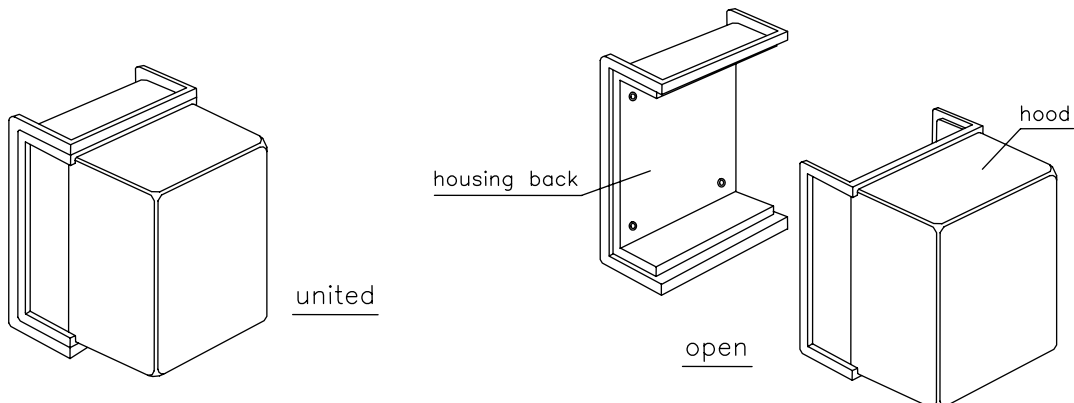
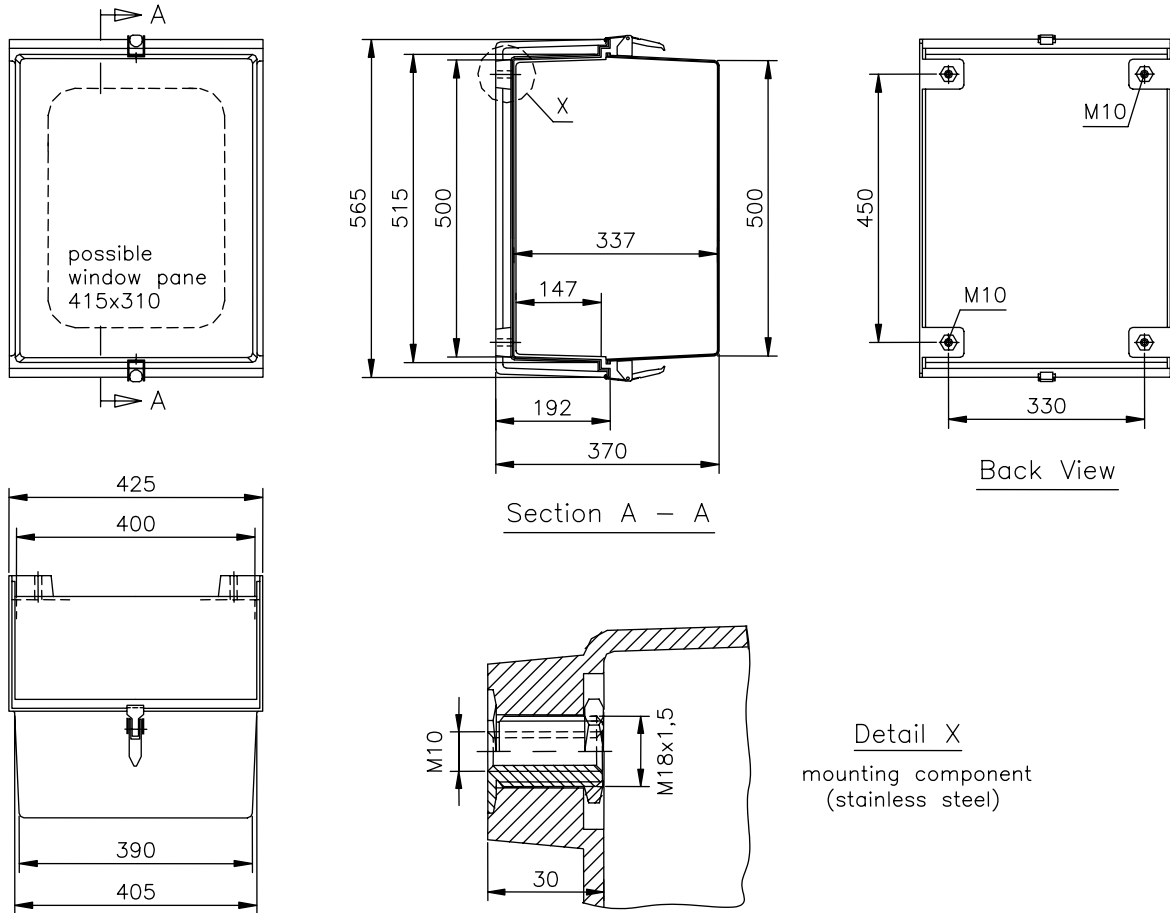


# P 4.0

Single layer construction, thermal conductivity  $k = 5 \text{ W/m}^2\text{K}$ , protective system IP 65, silver grey with reduced electrical surface resistance in accordance with DIN EN IEC 60079-0 ( $<10^9 \Omega$ )  
 Other technical data and extra equipment: page 6.00

**P 4.001** (weight appr. 9 kg) • depth overall 370 mm

**Mounting plate:** h = 480 mm, w = 360 mm, weight appr. 4 kg



# P 4.1

Single layer construction, thermal conductivity  $k = 5 \text{ W/m}^2\text{K}$ , protective system IP 65, RAL 7032

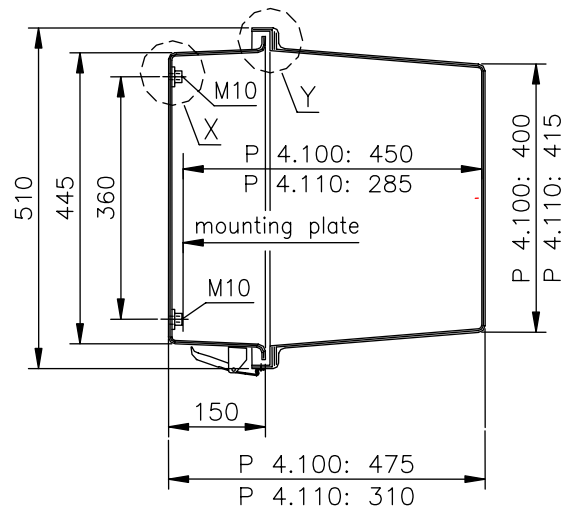
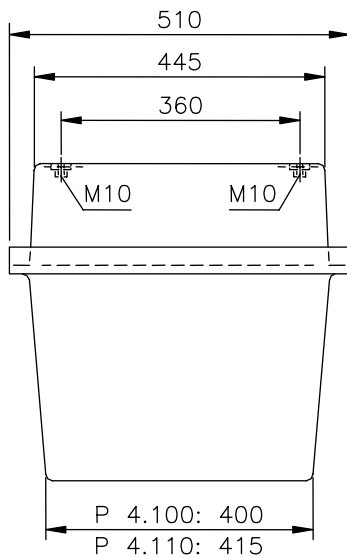
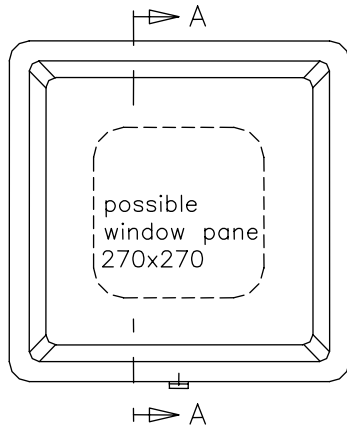
Single layer construction with aluminium covered polyurethane insulation (extra equipment),  $k = 1.2 \text{ W/m}^2\text{K}$ , IP 65, RAL 7032

Other technical data and extra equipment: page 6.00

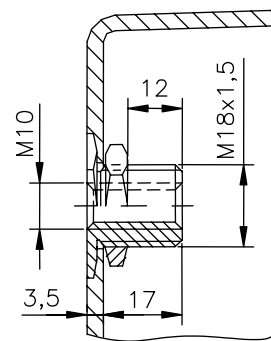
**P 4.100** (weight appr. 9 kg) • depth overall 475 mm

**P 4.110** (weight appr. 8 kg) • depth overall 310 mm

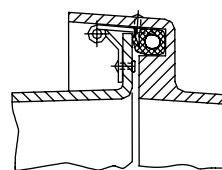
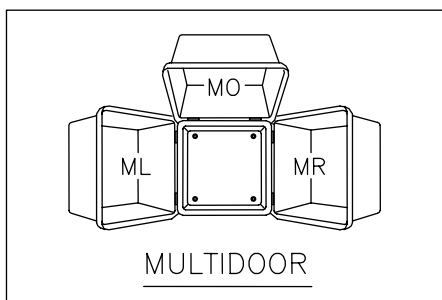
**Mounting plate** : w = 390 mm, h = 390 mm, weight appr. 3 kg



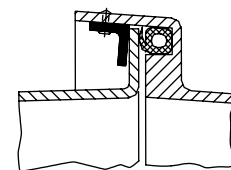
Section A – A



Detail X  
mounting component  
(stainless steel)



Detail Y  
MULTIDOOR hinge  
(stainless Steel)



Detail Y  
STANDARD-hang in  
with GRP-angular

## P 4.2

Single layer construction, thermal conductivity  $k = 5 \text{ W/m}^2\text{K}$ , protective system IP 65, RAL 7032

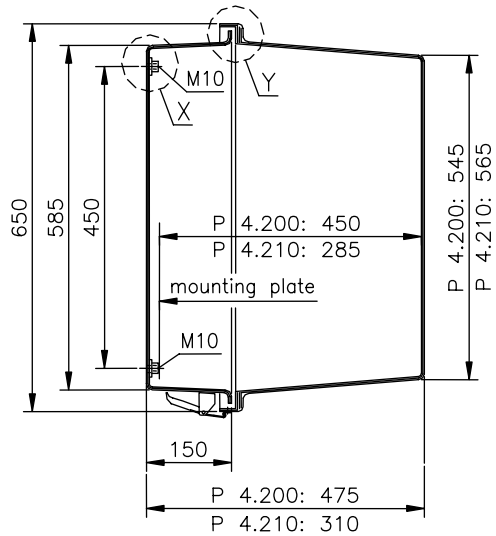
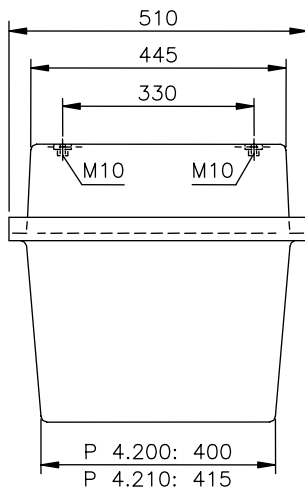
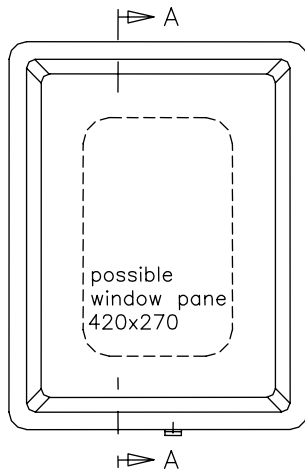
Single layer construction with aluminium covered polyurethane insulation (extra equipment),  $k = 1.2 \text{ W/m}^2\text{K}$ , IP 65, RAL 7032

Other technical data and extra equipment: page 6.00

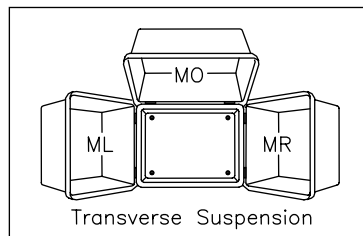
**P 4.200** (weight appr. 10 kg) • depth overall 475 mm

**P 4.210** (weight appr. 9 kg) • depth overall 310 mm

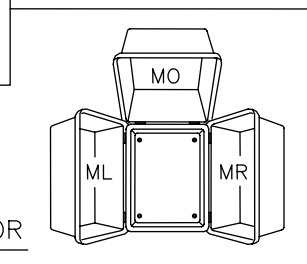
**Mounting plate** :  $h = 500 \text{ mm}$ ,  $w = 400 \text{ mm}$ , weight appr. 4 kg



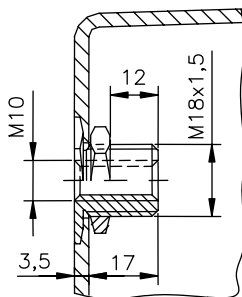
Section A – A



Transverse Suspension

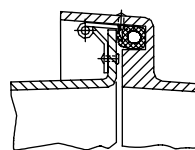


MULTIDOOR



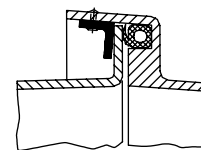
Detail X

mounting component  
(stainless steel)



Detail Y

MULTIDOOR hinge  
(stainless Steel)



Detail Y

STANDARD-hang in  
with GRP-angular

### P 4.3

Single layer construction, thermal conductivity  $k = 5 \text{ W/m}^2\text{K}$ , protective system IP 65, RAL 7032

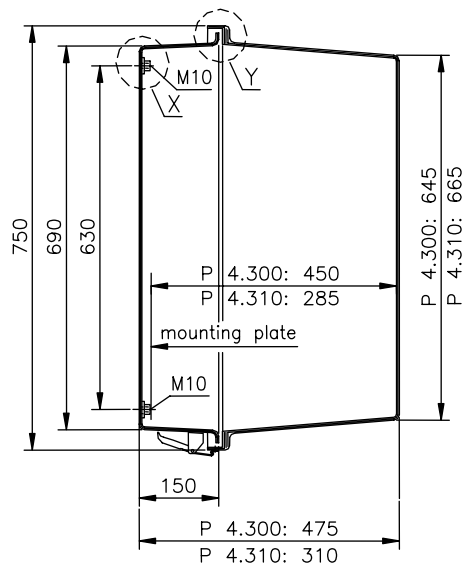
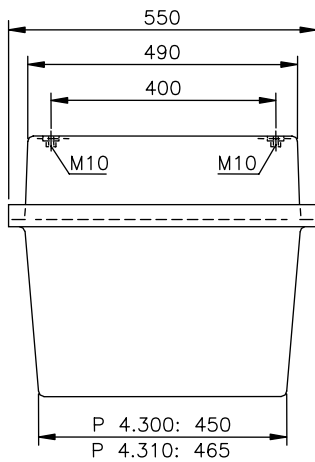
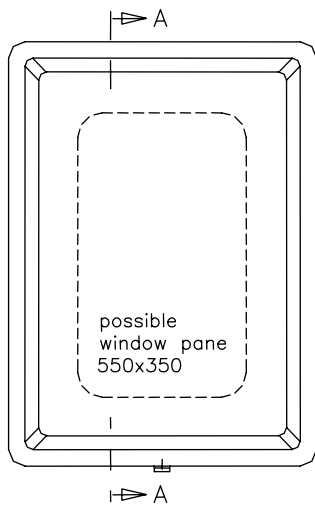
Single layer construction with aluminium covered polyurethane insulation (extra equipment),  $k = 1.2 \text{ W/m}^2\text{K}$ , IP 65, RAL 7032

Other technical data and extra equipment: page 6.00

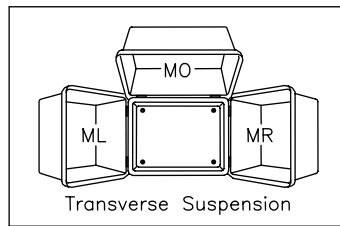
**P 4.300** (weight appr. 13 kg) • depth overall 475 mm

**P 4.310** (weight appr. 11 kg) • depth overall 310 mm

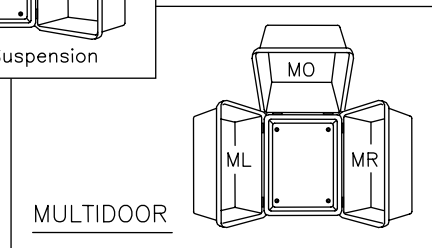
**Mounting plate** :  $h = 650 \text{ mm}$ ,  $w = 450 \text{ mm}$ , weight appr. 6 kg



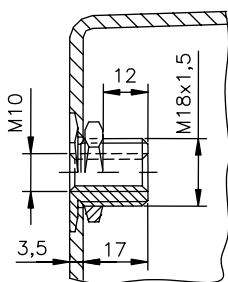
Section A - A



Transverse Suspension

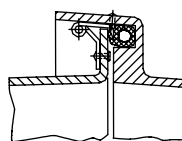


MULTIDOOR



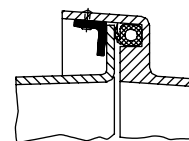
Detail X

mounting component  
(stainless steel)



Detail Y

MULTIDOOR hinge  
(stainless Steel)



Detail Y

STANDARD-hang in  
with GRP-angular

**P 4.3**

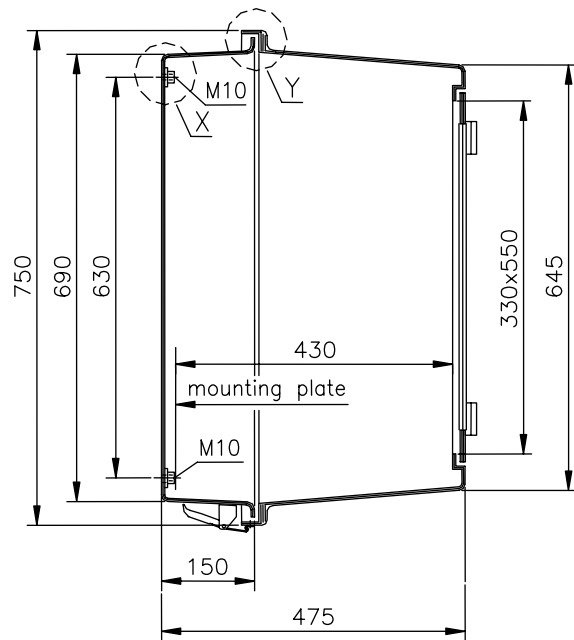
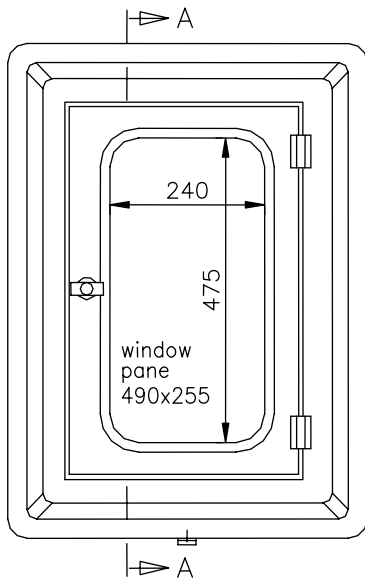
Single layer construction, thermal conductivity  $k = 5 \text{ W/m}^2\text{K}$ , protective system IP 65, RAL 7032

Single layer construction with aluminium covered polyurethane insulation (extra equipment),  $k = 1.2 \text{ W/m}^2\text{K}$ , IP 65, RAL 7032

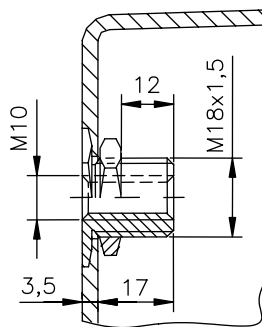
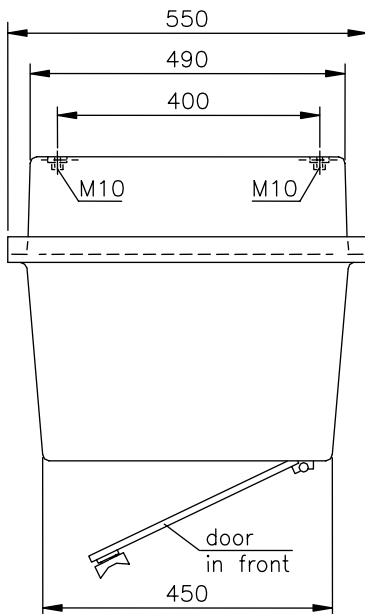
Other technical data and extra equipment: page 6.00

**P 4.320** (weight appr. 16 kg) • depth overall 475 mm

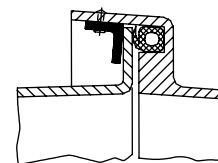
**Mounting plate** :h = 650 mm, w = 450 mm, weight appr. 6 kg



Section A - A



Detail X  
mounting component  
(stainless steel)



Detail Y  
STANDARD-hang in  
with GRP-angular