

## Series E

Sandwich component construction 20 mm, thermal conductivity  $k = 1.2 \text{ W/m}^2\text{K}$

- Self-supporting, frameless construction built with separate components, torsion resistant, corrosion and seawater resistant
- Outstanding thermal insulation through the double shelled sandwich construction
- Gelcoat surface for extreme life span, colour RAL 7035
- 1-leaf doors (...-10) protective system IP 65, 2-leaf doors (...-20) protective system IP 54
- Additional door in the rear side of the cabinet possible (...-11 or ...-22)
- Single door arrangement next to each other (...-10+10) and one above the other (...-10/10) possible
- Door frame with sturdy hinges, both made of stainless steel, door opening angle up to 180°
- 3-point latching with lift-and-swivel handle (closure no. 0526), prepared for half profile cylinder
- Threaded inserts M10 made of stainless steel inside all walls

### Manufacturing Program:

cabinet dimensions h x w x d	cabinet model	page
1190 x 1000 x *	E 01-1000*-10	4.01
1190 x 1200 x *	E 01-1200*-10	4.02
1190 x 1200 x *	E 01-1200*-20	4.03
1190 x 1500 x *	E 01-1500*-20	4.04
1190 x 2000 x *	E 01-2000*-20	4.05
1190 x 2000 x *	E 01-2000*-10+10	4.06
2140 x 1000 x *	E 02-1000*-10	4.07
2140 x 1000 x *	E 02-1000*-20	4.08
2140 x 1000 x *	E 02-1000*-10/10	4.09
2140 x 1200 x *	E 02-1200*-10	4.10
2140 x 1200 x *	E 02-1200*-20	4.11
2140 x 1200 x *	E 02-1200*-10/10	4.12
2140 x 1500 x *	E 02-1500*-20	4.13
2140 x 2000 x *	E 02-2000*-20	4.14
1780 x 800 x *	E 04-0800*-10	4.15
1780 x 1000 x *	E 04-1000*-10	4.16
1780 x 1200 x *	E 04-1200*-10	4.17
1780 x 1560 x *	E 04-1560*-20	4.18
1780 x 1560 x *	E 04-1560*-10+10	4.19
1780 x 1760 x *	E 04-1760*-20	4.20
1780 x 1760 x *	E 04-1760*-10+10	4.21
1780 x 2000 x *	E 04-2000*-20	4.22
1780 x 2000 x *	E 04-2000*-10+10	4.23
1780 x 2320 x *	E 04-2320*-10+10+10	4.24
1780 x 2360 x *	E 04-2360*-20	4.25

\* depth d = 500 mm, 600 mm, 1000 mm  
Other dimensions on request

### Extra Equipment:

- Other RAL colour tone
- Reduced electrical surface resistance in accordance with EN 60079-0 ( $<10^9 \Omega$ ), necessary in ex-proof Zone 1
- Profile rubber sealed observation window made of laminated safety glass or acrylic glass in the door
- Double pane equipped window
- Other closure variations (see „Accessories“)
- Half profile cylinder
- Door stop by pressurized spring (see „Accessories“)
- Electrical heating in normal and ex-proof design (see „Heating systems“)
- Steam or hot water heating (see „Heating systems“)
- Cabinet ventilation systems (see „Accessories“)

- Mounting plate, sheet steel 2.5 mm, galvanized (see „Accessories“)
- Assembly rack, C-formed steel, cold galvanized (see „Accessories“)
- Internal door made of sheet steel, galvanized (see „Accessories“)
- 19" swivel rack, sheet steel, laquered RAL 7035 or galvanized
- Lifting eye bolts (see „Accessories“)
- Base frame made of stainless steel on request
- Fixing brackets made of stainless steel at the base frame (see „Accessories“)
- Larger roof overhang
- Roof without overhang
- Components corresponding to fire resistance F30 or B1-DIN 4102
- Overpressure design
- Cable distribution bases made of fiberglass reinforced polyester (see series „KVS“)



### Order Example:

**Switchgear Cabinet model E 02-1500-600-20, mounting plate**  
E = series, 02 = height of cabinet 2140 mm, 1500 = width of cabinet (mm), 600 = depth of cabinet (mm), 20 = door arrangement

(2-leaf-door in front), extra equipment will be declared behind model number



## E 01-1200

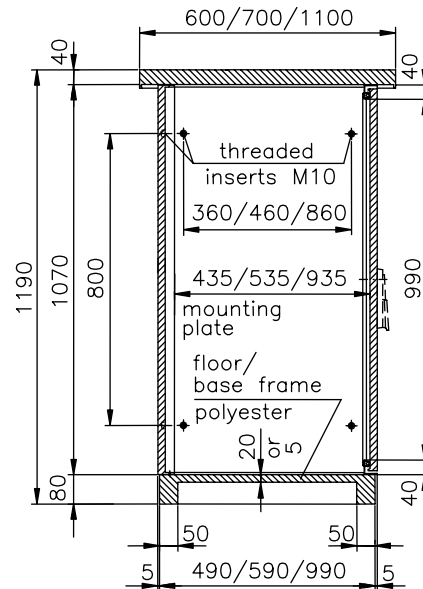
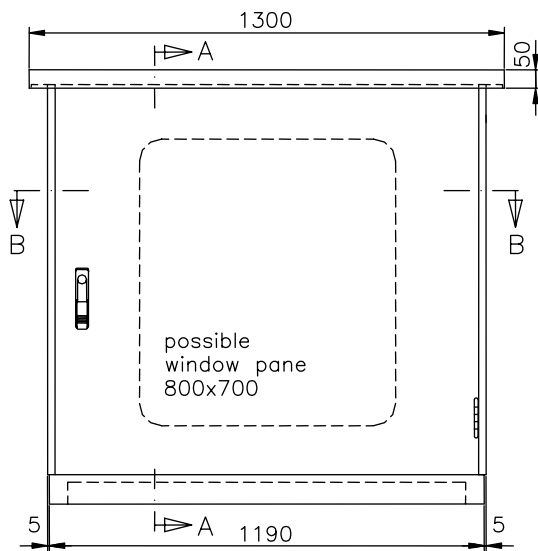
Sandwich component construction, thermal conductivity  $k = 1.2 \text{ W/m}^2\text{K}$ , protective system IP 65, RAL 7035

Design: 1-leaf-door in front (...-10), 1-leaf-door one each in front and rear side (...-11)

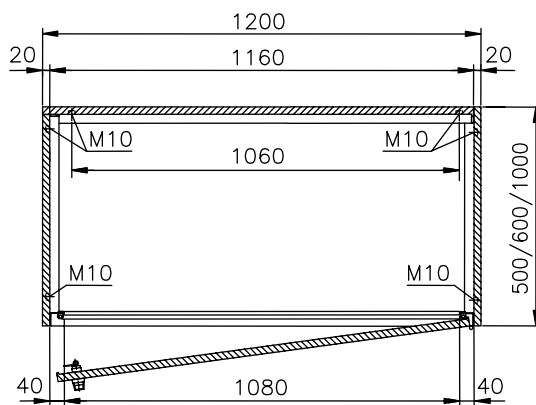
Other technical data and extra equipment: page 4.00

- E 01-1200- 500-10** (wt appr. 70 kg) • **E 01-1200- 500-11** (wt appr. 76 kg) • depth of cabinet 500 mm
- E 01-1200- 600-10** (wt appr. 77 kg) • **E 01-1200- 600-11** (wt appr. 83 kg) • depth of cabinet 600 mm
- E 01-1200-1000-10** (wt appr. 105 kg) • **E 01-1200-1000-11** (wt appr. 112 kg) • depth of cabinet 1000 mm

**Mounting plate:** h = 960 mm, w = 1100 mm, weight appr. 23 kg



Section A - A



Section B - B



## E 01-1500

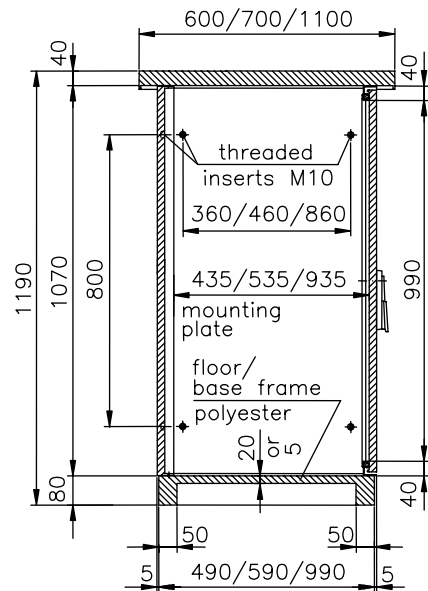
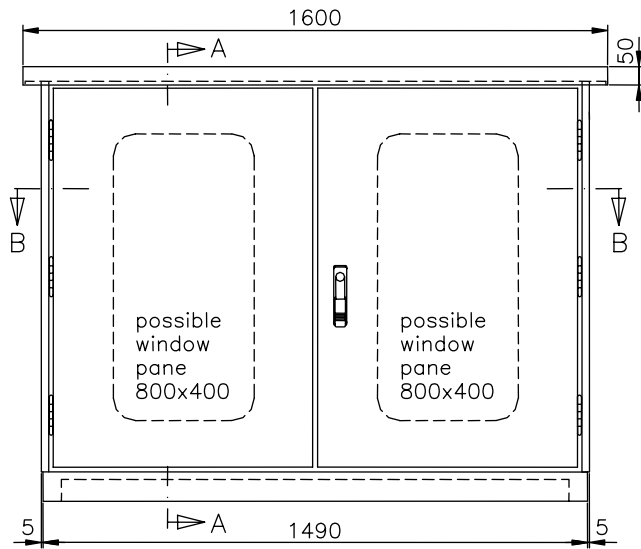
Sandwich component construction, thermal conductivity  $k = 1.2 \text{ W/m}^2\text{K}$ , protective system IP 54, RAL 7035

Design: 2-leaf door in front (...-20), 2-leaf door one each in front and rear side (...-22)

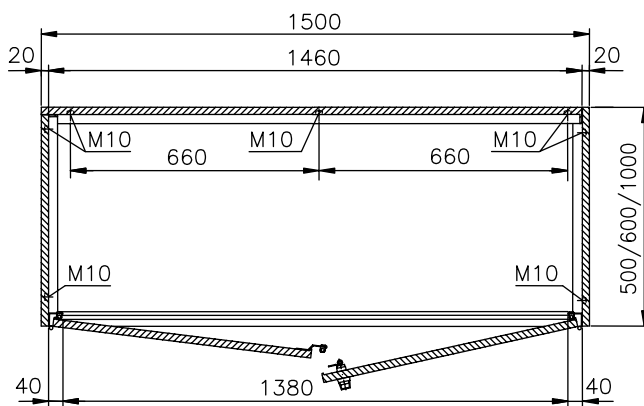
Other technical data and extra equipment: page 4.00

- E 01-1500- 500-20** (wt appr. 90 kg) • **E 01-1500- 500-22** (wt appr. 98 kg) • depth of cabinet 500 mm
- E 01-1500- 600-20** (wt appr. 99 kg) • **E 01-1500- 600-22** (wt appr. 107 kg) • depth of cabinet 600 mm
- E 01-1500-1000-20** (wt appr. 134 kg) • **E 01-1500-1000-22** (wt appr. 143 kg) • depth of cabinet 1000 mm

**Mounting plate:** h = 960 mm, w = 1400 mm, weight appr. 29 kg



Section A – A



Section B – B

## E 01-2000

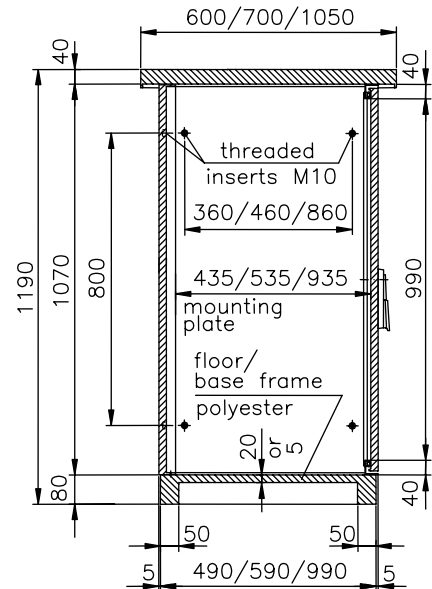
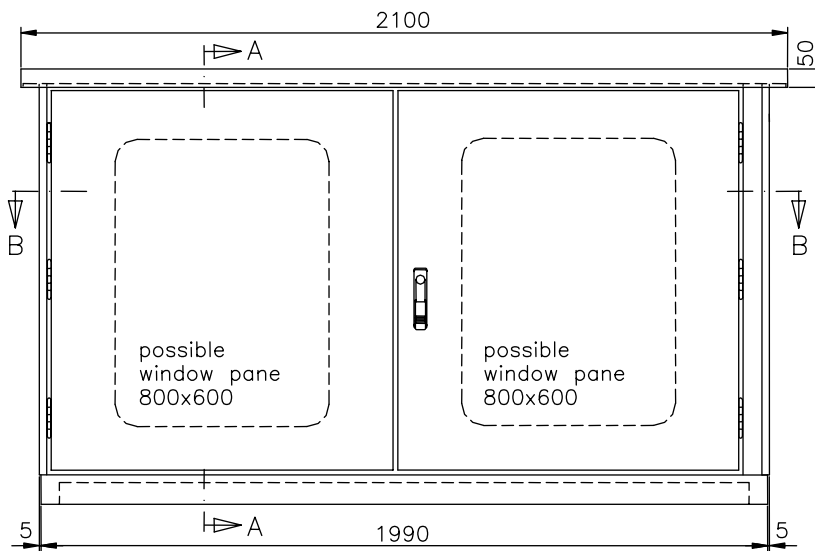
Sandwich component construction, thermal conductivity  $k = 1.2 \text{ W/m}^2\text{K}$ , protective system IP 54, RAL 7035

Design: 2-leaf door in front (...-20), 2-leaf door one each in front and rear side (...-22)

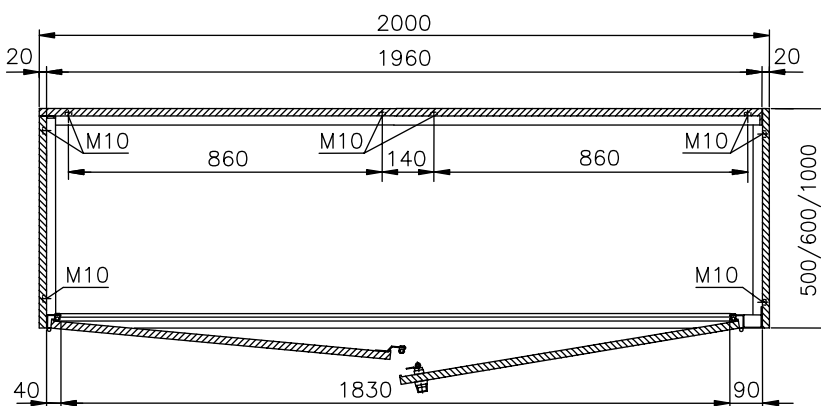
Other technical data and extra equipment: page 4.00

- E 01-2000- 500-20** (wt appr. 106 kg) • **E 01-2000- 500-22** (wt appr. 116 kg) • depth of cabinet 500 mm
- E 01-2000- 600-20** (wt appr. 115 kg) • **E 01-2000- 600-22** (wt appr. 124 kg) • depth of cabinet 600 mm
- E 01-2000-1000-20** (wt appr. 183 kg) • **E 01-2000-1000-22** (wt appr. 192 kg) • depth of cabinet 1000 mm

**Mounting plate:** h = 960 mm, w = 1900 mm (or 2x 900 mm), weight appr. 29 kg (or 2x 19 kg)



Section A - A



Section B - B

## E 01-2000

Sandwich component construction, thermal conductivity  $k = 1.2 \text{ W/m}^2\text{K}$ , protective system IP 65, RAL 7035

Design: Two 1-leaf doors in front (...-10+10), 1-leaf doors two each in front and rear side (...-11+11)

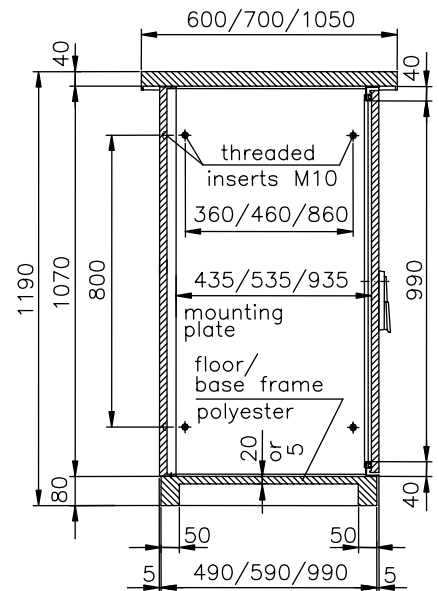
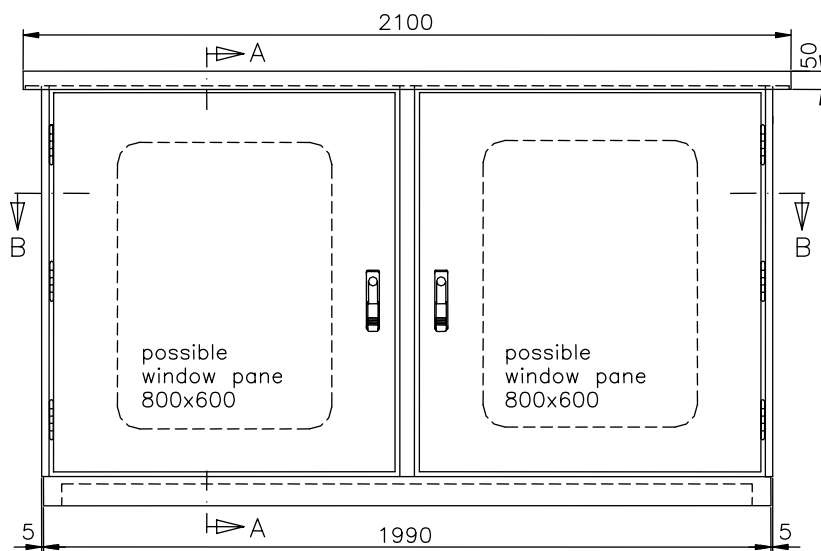
Other technical data and extra equipment: page 4.00

**E 01-2000- 500-10+10** (wt appr. 106 kg) • **E 01-2000- 500-11+11** (wt appr. 116 kg) • depth of cabinet 500 mm

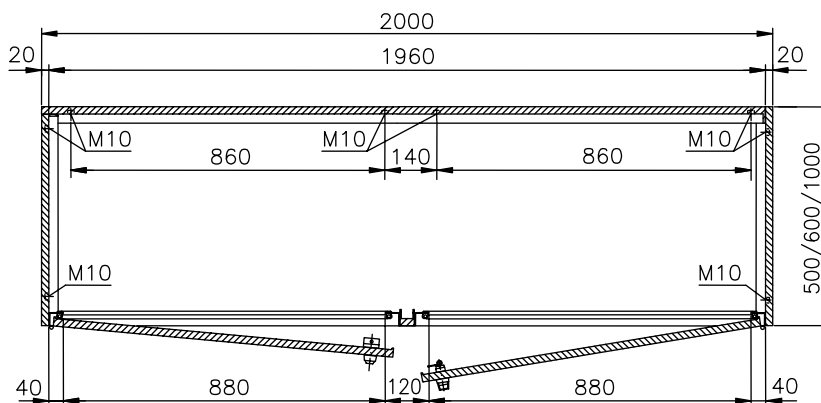
**E 01-2000- 600-10+10** (wt appr. 115 kg) • **E 01-2000- 600-11+11** (wt appr. 124 kg) • depth of cabinet 600 mm

**E 01-2000-1000-10+10** (wt appr. 183 kg) • **E 01-2000-1000-11+11** (wt appr. 192 kg) • depth of cabinet 1000 mm

**Mounting plates:** 2 pieces  $h = 960 \text{ mm}$ ,  $w = 900 \text{ mm}$ , weight each appr. 19 kg



Section A - A



Section B - B

## E 02-1000

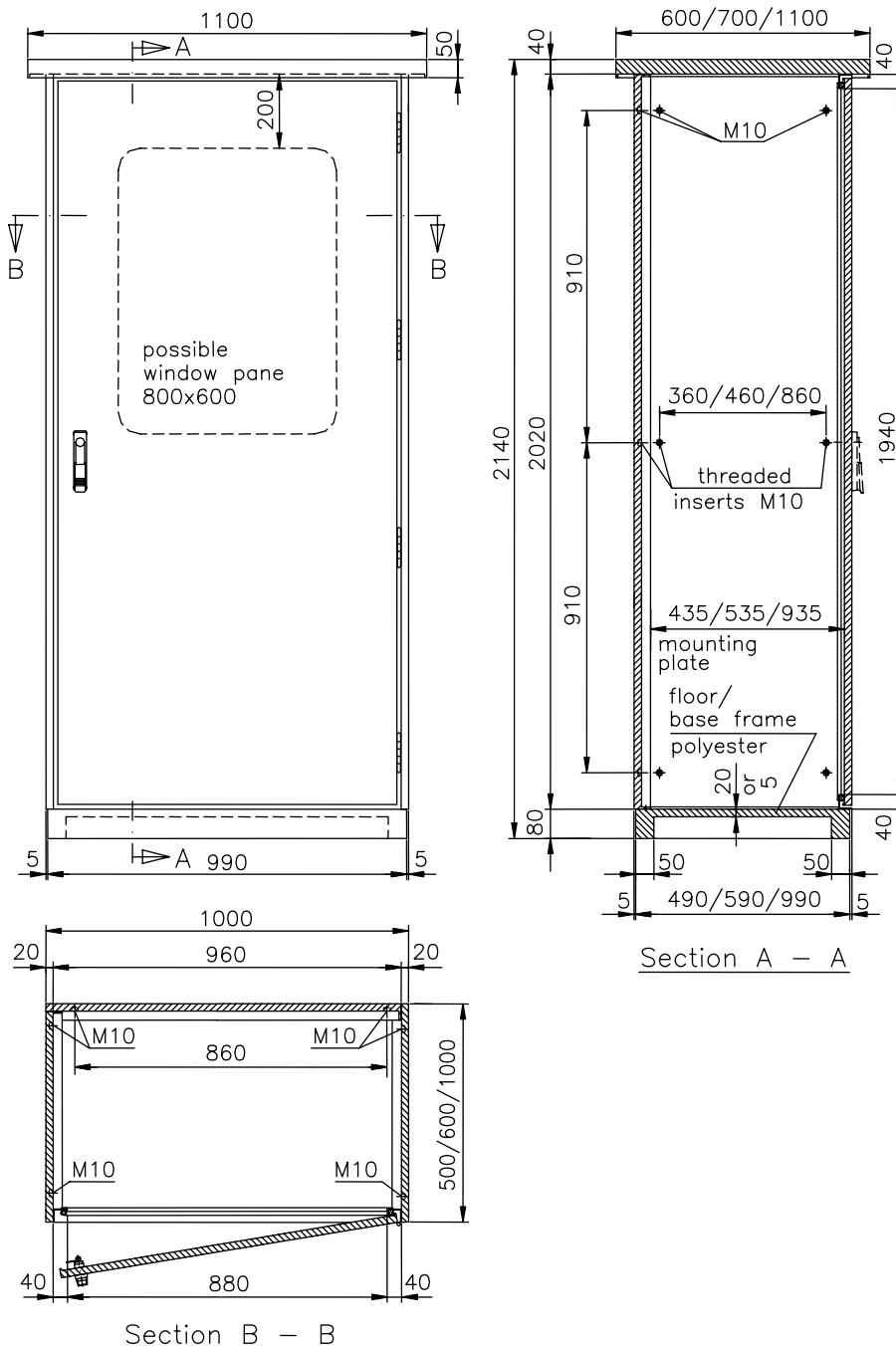
Sandwich component construction, thermal conductivity  $k = 1.2 \text{ W/m}^2\text{K}$ , protective system IP 65, RAL 7035

Design: 1-leaf door in front (...-10), 1-leaf door one each in front and rear side (...-11)

Other technical data and extra equipment: page 4.00

- E 02-1000- 500-10** (wt appr. 90 kg) • **E 02-1000- 500-11** (wt appr. 98 kg) • depth of cabinet 500 mm
- E 02-1000- 600-10** (wt appr. 98 kg) • **E 02-1000- 600-11** (wt appr. 106 kg) • depth of cabinet 600 mm
- E 02-1000-1000-10** (wt appr. 128 kg) • **E 02-1000-1000-11** (wt appr. 136 kg) • depth of cabinet 1000 mm

**Mounting plate:** h = 1930 mm, w = 900 mm, weight appr. 37 kg



## E 02-1000

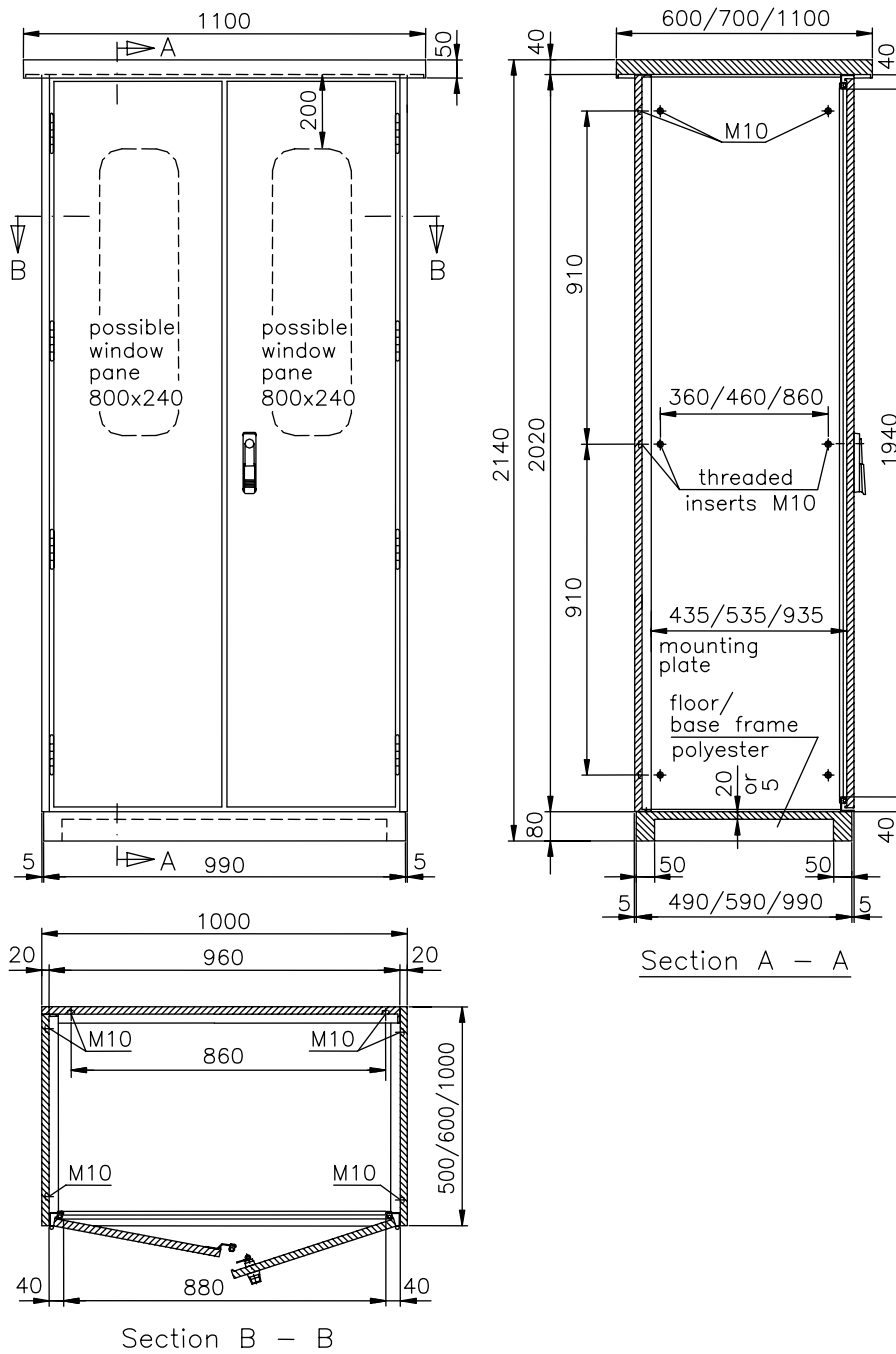
Sandwich component construction, thermal conductivity  $k = 1.2 \text{ W/m}^2\text{K}$ , protective system IP 54, RAL 7035

Design: 2-leaf door in front (...-20), 2-leaf door one each in front and rear side (...-22)

Other technical data and extra equipment: page 4.00

- E 02-1000- 500-20** (wt appr. 91 kg) • **E 02-1000- 500-22** (wt appr. 99 kg) • depth of cabinet 500 mm
- E 02-1000- 600-20** (wt appr. 99 kg) • **E 02-1000- 600-22** (wt appr. 107 kg) • depth of cabinet 600 mm
- E 02-1000-1000-20** (wt appr. 129 kg) • **E 02-1000-1000-22** (wt appr. 137 kg) • depth of cabinet 1000 mm

**Mounting plate:** h = 1930 mm, w = 900 mm, weight appr. 37 kg



## E 02-1000

Sandwich component construction, thermal conductivity  $k = 1.2 \text{ W/m}^2\text{K}$ , protective system IP 65, RAL 7035

Design: Two 1-leaf doors in front (...-10/10), 1-leaf doors two each in front and rear side (...-11/11)

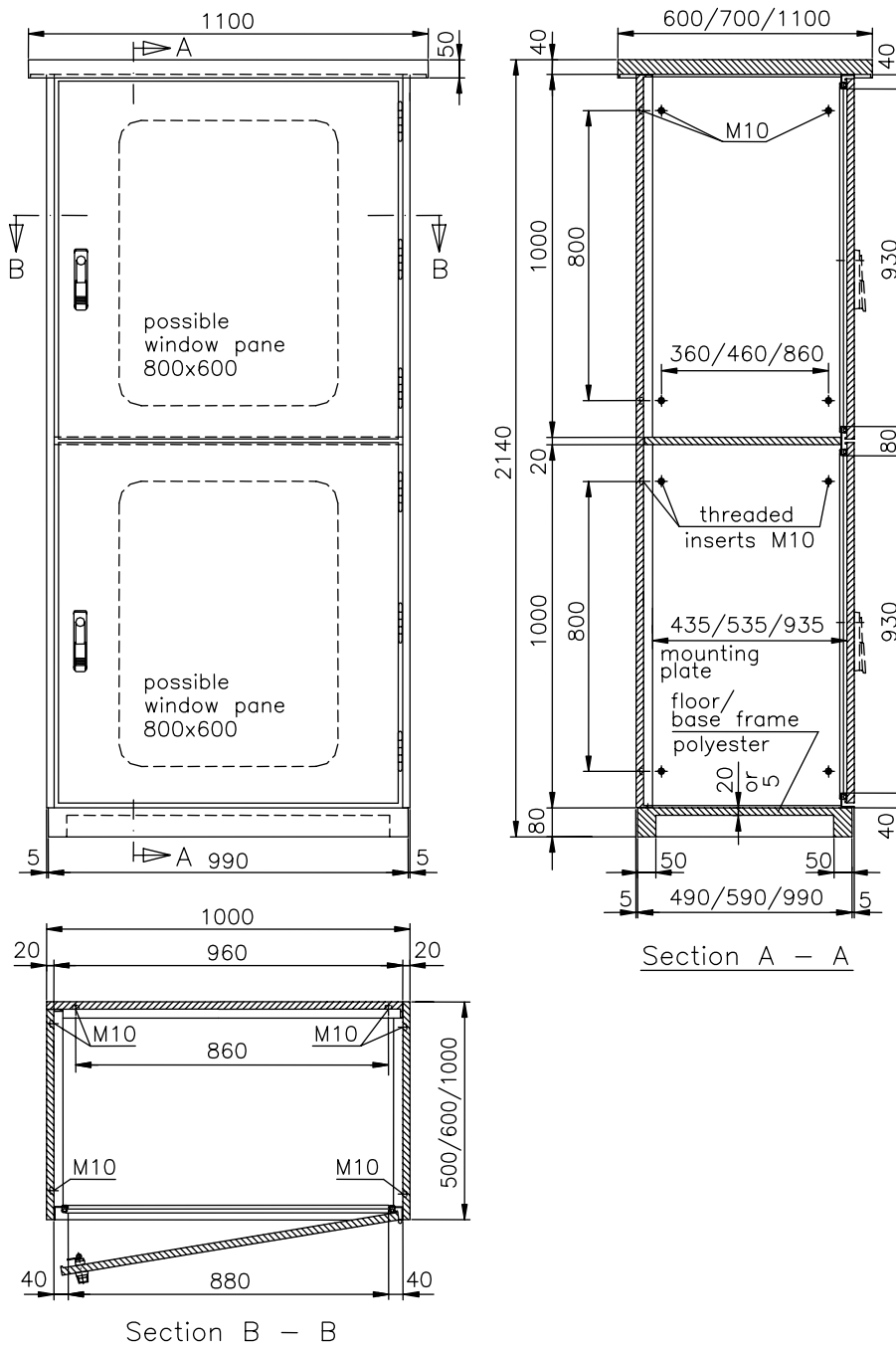
Other technical data and extra equipment: page 4.00

**E 02-1000- 500-10/10** (wt appr. 91 kg) • **E 02-1000- 500-11/11** (wt appr. 99 kg) • depth of cabinet 500 mm

**E 02-1000- 600-10/10** (wt appr. 99 kg) • **E 02-1000- 600-11/11** (wt appr. 107 kg) • depth of cabinet 600 mm

**E 02-1000-1000-10/10** (wt appr. 129 kg) • **E 02-1000-1000-11/11** (wt appr. 137 kg) • depth of cabinet 1000 mm

**Mounting plates:** 2 pieces  $h = 900 \text{ mm}$ ,  $w = 900 \text{ mm}$ , weight each appr. 19 kg



## E 02-1200

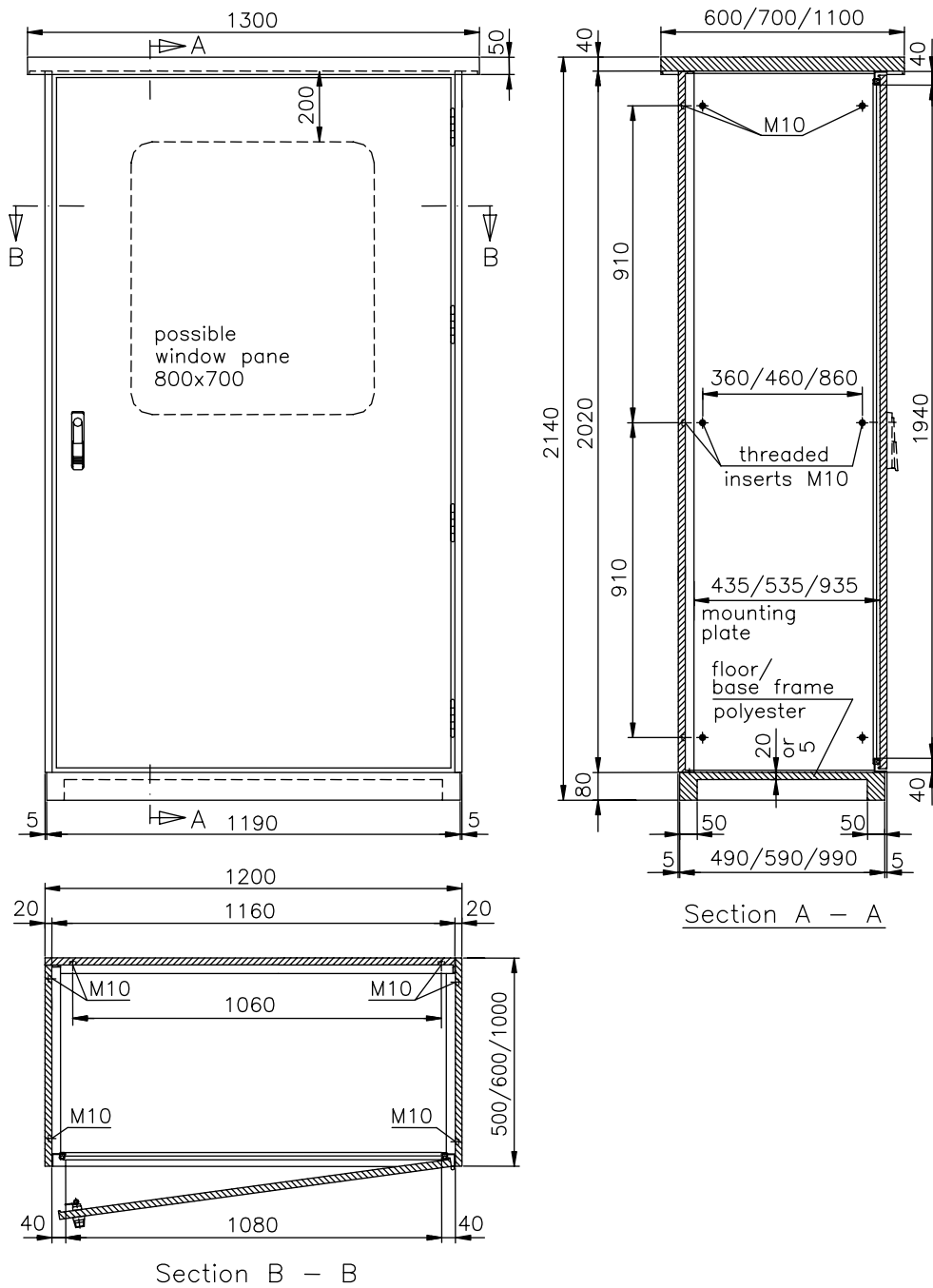
Sandwich component construction, thermal conductivity  $k = 1.2 \text{ W/m}^2\text{K}$ , protective system IP 65, RAL 7035

Design: 1-leaf door in front (...-10), 1-leaf door one each in front and rear side (...-11)

Other technical data and extra equipment: page 4.00

- E 02-1200- 500-10** (wt appr. 103 kg) • **E 02-1200- 500-11** (wt appr. 113 kg) • depth of cabinet 500 mm
- E 02-1200- 600-10** (wt appr. 111 kg) • **E 02-1200- 600-11** (wt appr. 121 kg) • depth of cabinet 600 mm
- E 02-1200-1000-10** (wt appr. 148 kg) • **E 02-1200-1000-11** (wt appr. 158 kg) • depth of cabinet 1000 mm

**Mounting plate:** h = 1930 mm, w = 1100 mm, weight appr. 45 kg



## E 02-1200

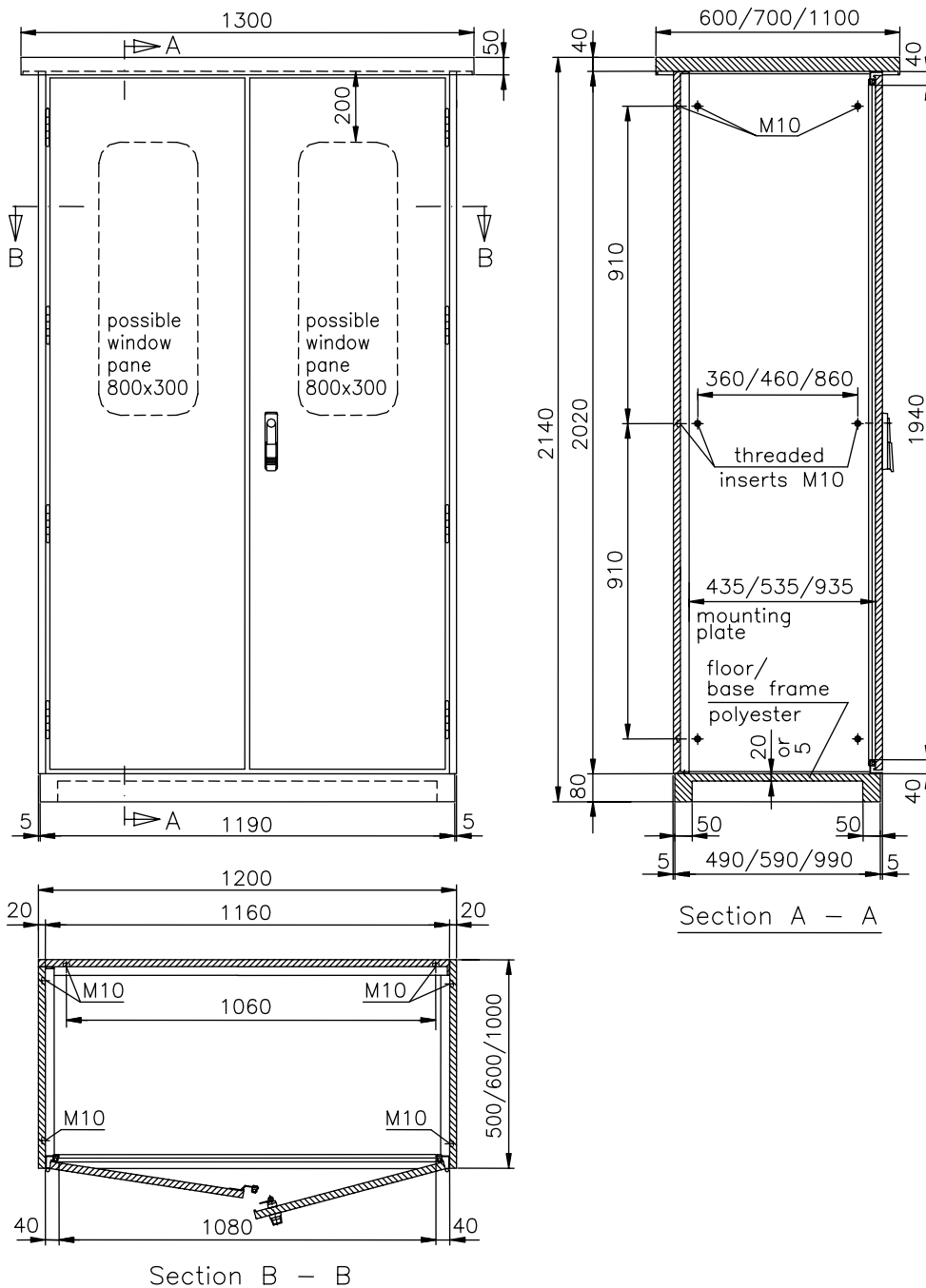
Sandwich component construction, thermal conductivity  $k = 1.2 \text{ W/m}^2\text{K}$ , protective system IP 54, RAL 7035

Design: 2-leaf door in front (...-20), 2-leaf door one each in front and rear side (...-22)

Other technical data and extra equipment: page 4.00

- E 02-1200- 500-20** (wt appr. 104 kg) • **E 02-1200- 500-22** (wt appr. 114 kg) • depth of cabinet 500 mm
- E 02-1200- 600-20** (wt appr. 112 kg) • **E 02-1200- 600-22** (wt appr. 122 kg) • depth of cabinet 600 mm
- E 02-1200-1000-20** (wt appr. 149 kg) • **E 02-1200-1000-22** (wt appr. 159 kg) • depth of cabinet 1000 mm

**Mounting plate:** h = 1930 mm, w = 1100 mm, weight appr. 45 kg



## E 02-1200

Sandwich component construction, thermal conductivity  $k = 1.2 \text{ W/m}^2\text{K}$ , protective system IP 65, RAL 7035

Design: Two 1-leaf doors in front (...-10/10), 1-leaf doors two each in front and rear side (...-11/11)

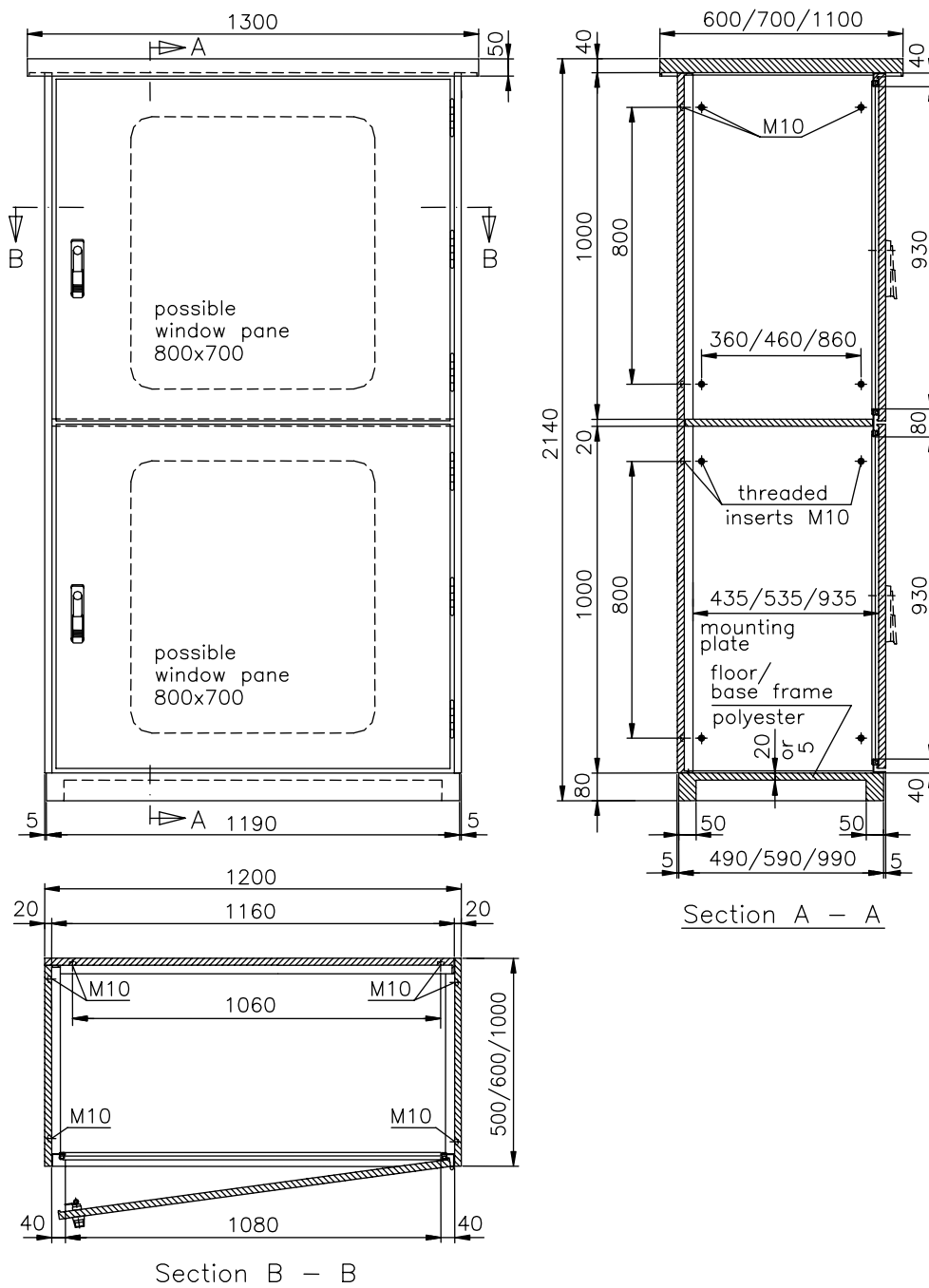
Other technical data and extra equipment: page 4.00

**E 02-1200- 500-10/10** (wt appr. 106 kg) • **E 02-1200- 500-11/11** (wt appr. 119 kg) • depth of cabinet 500 mm

**E 02-1200- 600-10/10** (wt appr. 114 kg) • **E 02-1200- 600-11/11** (wt appr. 127 kg) • depth of cabinet 600 mm

**E 02-1200-1000-10/10** (wt appr. 151 kg) • **E 02-1200-1000-11/11** (wt appr. 164 kg) • depth of cabinet 1000 mm

**Mounting plates:** 2 pieces  $h = 900 \text{ mm}$ ,  $w = 1100 \text{ mm}$ , weight each appr. 23 kg



## E 02-1500

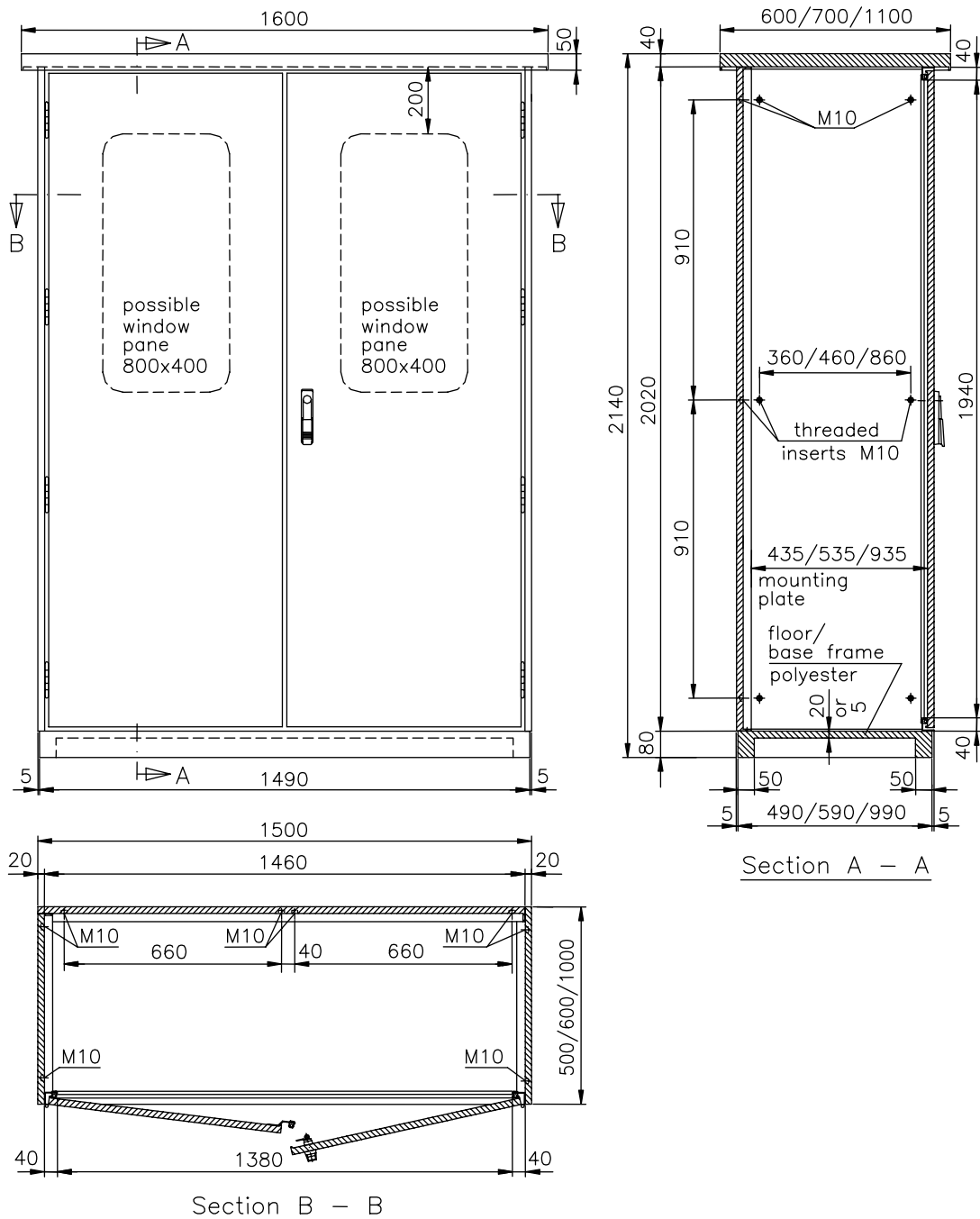
Sandwich component construction, thermal conductivity  $k = 1.2 \text{ W/m}^2\text{K}$ , protective system IP 54, RAL 7035

Design: 2-leaf door in front (...-20), 2-leaf door one each in front and rear side (...-22)

Other technical data and extra equipment: page 4.00

- E 02-1500- 500-20** (wt appr. 122 kg) • **E 02-1500- 500-22** (wt appr. 133 kg) • depth of cabinet 500 mm
- E 02-1500- 600-20** (wt appr. 132 kg) • **E 02-1500- 600-22** (wt appr. 142 kg) • depth of cabinet 600 mm
- E 02-1500-1000-20** (wt appr. 180 kg) • **E 02-1500-1000-22** (wt appr. 191 kg) • depth of cabinet 1000 mm

**Mounting plate:** 2 pieces  $h = 1930 \text{ mm}$ ,  $w = 700 \text{ mm}$ , weight each appr. 30 kg



## E 02-2000

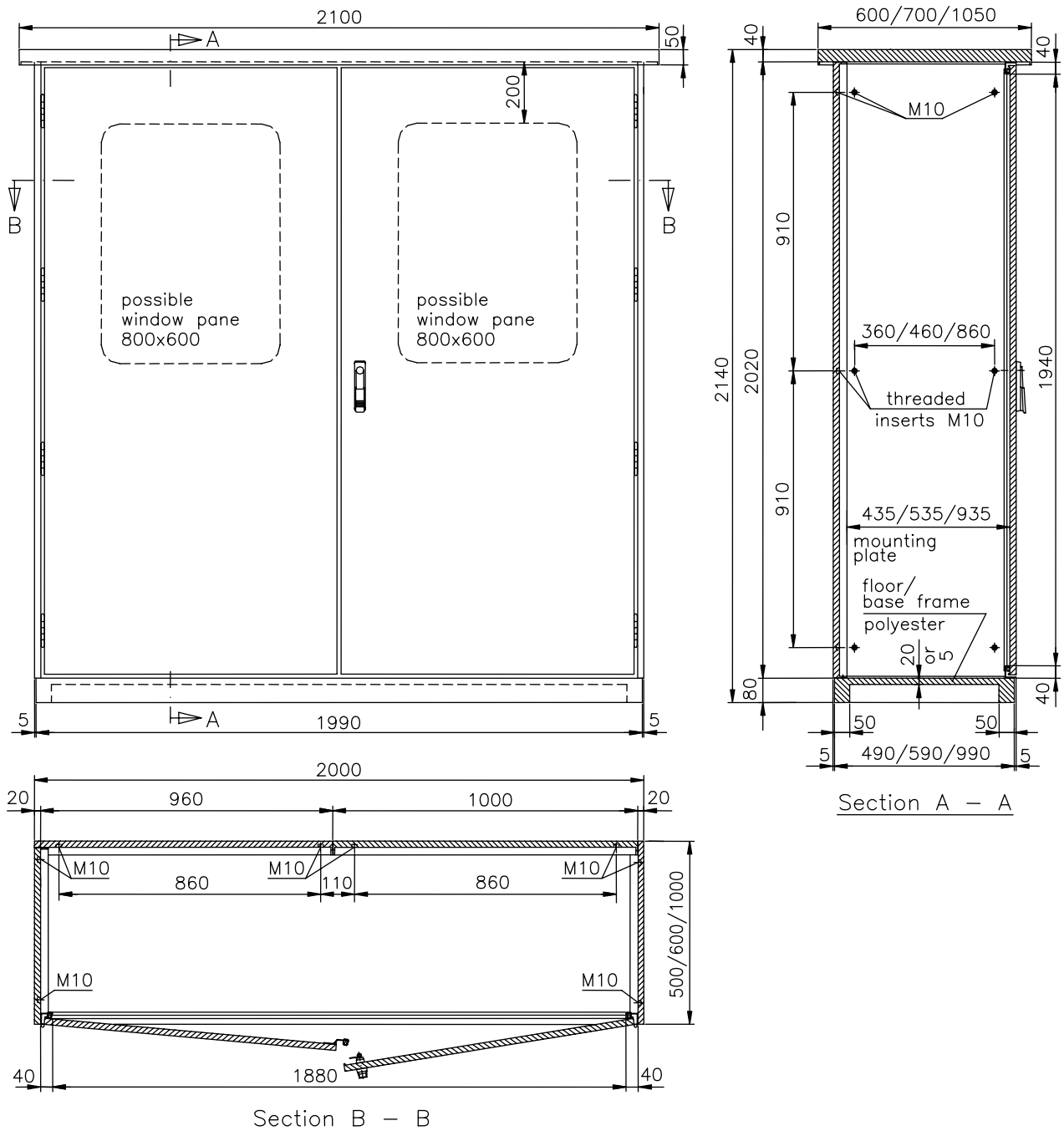
Sandwich component construction, thermal conductivity  $k = 1.2 \text{ W/m}^2\text{K}$ , protective system IP 54, RAL 7035

Design: 2-leaf door in front (...-20), 2-leaf door one each in front and rear side (...-22)

Other technical data and extra equipment: page 4.00

- |  |   |  |   |                          |
|--|---|--|---|--------------------------|
| <b>E 02-2000- 500-20</b> (wt appr. 154 kg) | • | <b>E 02-2000- 500-22</b> (wt appr. 166 kg) | • | depth of cabinet 500 mm  |
| <b>E 02-2000- 600-20</b> (wt appr. 165 kg) | • | <b>E 02-2000- 600-22</b> (wt appr. 177 kg) | • | depth of cabinet 600 mm  |
| <b>E 02-2000-1000-20</b> (wt appr. 240 kg) | • | <b>E 02-2000-1000-22</b> (wt appr. 252 kg) | • | depth of cabinet 1000 mm |

**Mounting plate:** 2 pieces  $h = 1930 \text{ mm}$ ,  $w = 900 \text{ mm}$ , weight each appr. 37 kg



## E 04-800

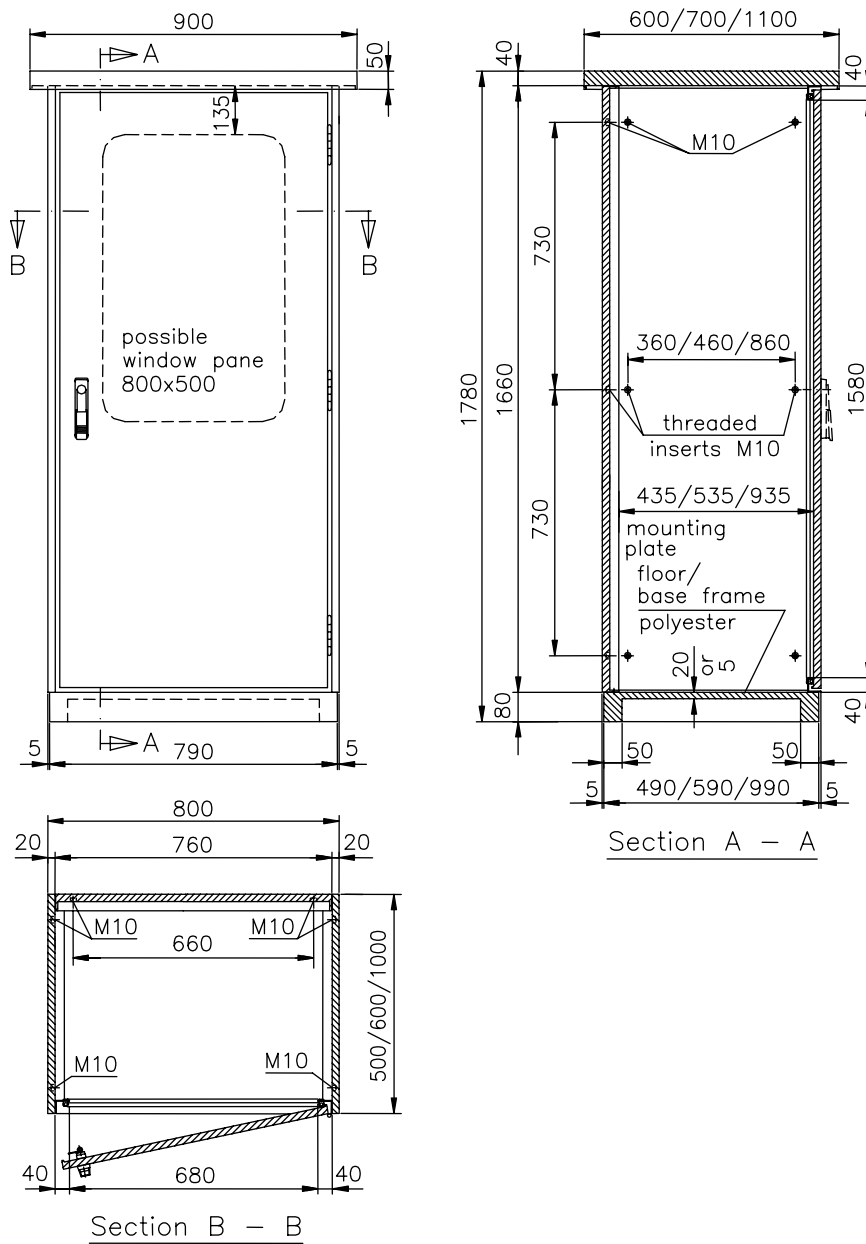
Sandwich component construction, thermal conductivity  $k = 1.2 \text{ W/m}^2\text{K}$ , protective system IP 65, RAL 7035

Design: 1-leaf door in front (...-10), 1-leaf door one each in front and rear side (...-11)

Other technical data and extra equipment: page 4.00

- |   |   |   |   |                          |
|---|---|---|---|--------------------------|
| <b>E 04-800- 500-10</b> (wt appr. 70 kg)  | • | <b>E 04-800- 500-11</b> (wt appr. 76 kg)  | • | depth of cabinet 500 mm  |
| <b>E 04-800- 600-10</b> (wt appr. 76 kg)  | • | <b>E 04-800- 600-11</b> (wt appr. 102 kg) | • | depth of cabinet 600 mm  |
| <b>E 04-800-1000-10</b> (wt appr. 103 kg) | • | <b>E 04-800-1000-11</b> (wt appr. 109 kg) | • | depth of cabinet 1000 mm |

**Mounting plate:** h = 1570 mm, w = 700 mm, weight appr. 25 kg



## E 04-1000

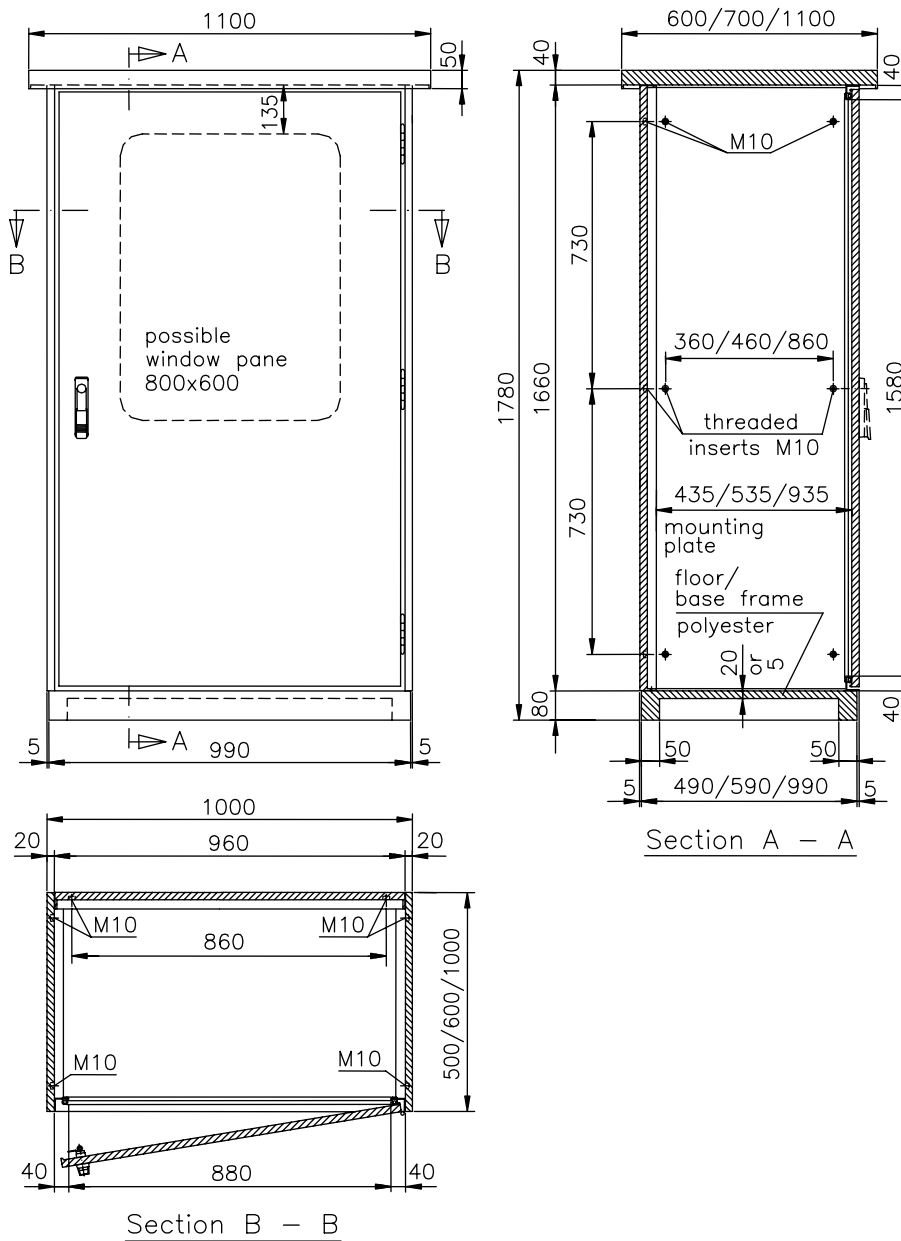
Sandwich component construction, thermal conductivity  $k = 1.2 \text{ W/m}^2\text{K}$ , protective system IP 65, RAL 7035

Design: 1-leaf door in front (...-10), 1-leaf door one each in front and rear side (...-11)

Other technical data and extra equipment: page 4.00

- E 04-1000- 500-10** (wt appr. 79 kg) • **E 04-1000- 500-11** (wt appr. 86 kg) • depth of cabinet 500 mm
- E 04-1000- 600-10** (wt appr. 86 kg) • **E 04-1000- 600-11** (wt appr. 93 kg) • depth of cabinet 600 mm
- E 04-1000-1000-10** (wt appr. 115 kg) • **E 04-1000-1000-11** (wt appr. 122 kg) • depth of cabinet 1000 mm

**Mounting plate:** h = 1570 mm, w = 900 mm, weight appr. 30 kg



## E 04-1200

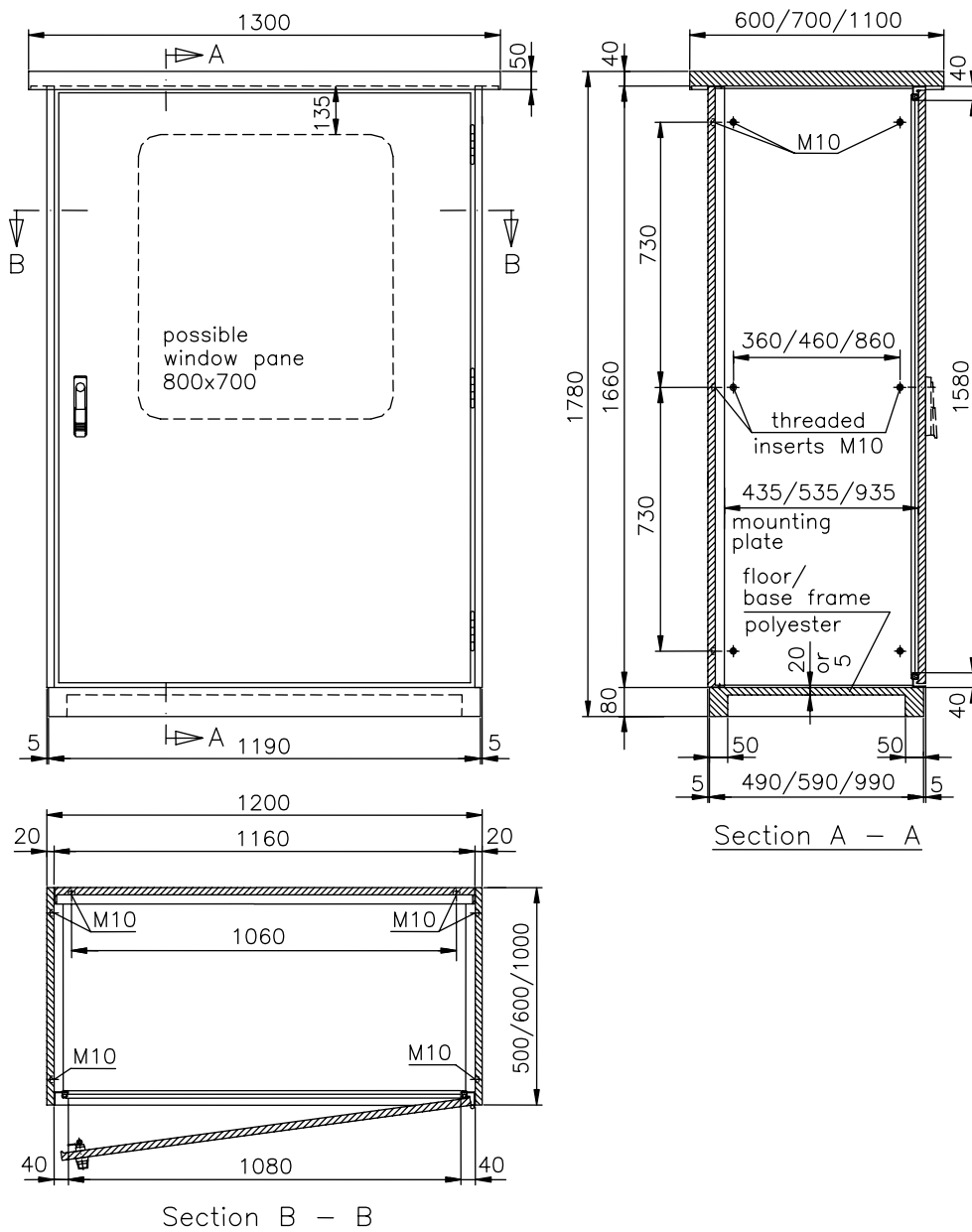
Sandwich component construction, thermal conductivity  $k = 1.2 \text{ W/m}^2\text{K}$ , protective system IP 65, RAL 7035

Design: 1-leaf door in front (...-10), 1-leaf door one each in front and rear side (...-11)

Other technical data and extra equipment: page 4.00

- E 04-1200- 500-10** (wt appr. 89 kg) • **E 04-1200- 500-11** (wt appr. 97 kg) • depth of cabinet 500 mm
- E 04-1200- 600-10** (wt appr. 96 kg) • **E 04-1200- 600-11** (wt appr. 104 kg) • depth of cabinet 600 mm
- E 04-1200-1000-10** (wt appr. 128 kg) • **E 04-1200-1000-11** (wt appr. 136 kg) • depth of cabinet 1000 mm

**Mounting plate:** h = 1570 mm, w = 1100 mm, weight appr. 38 kg



## E 04-1560

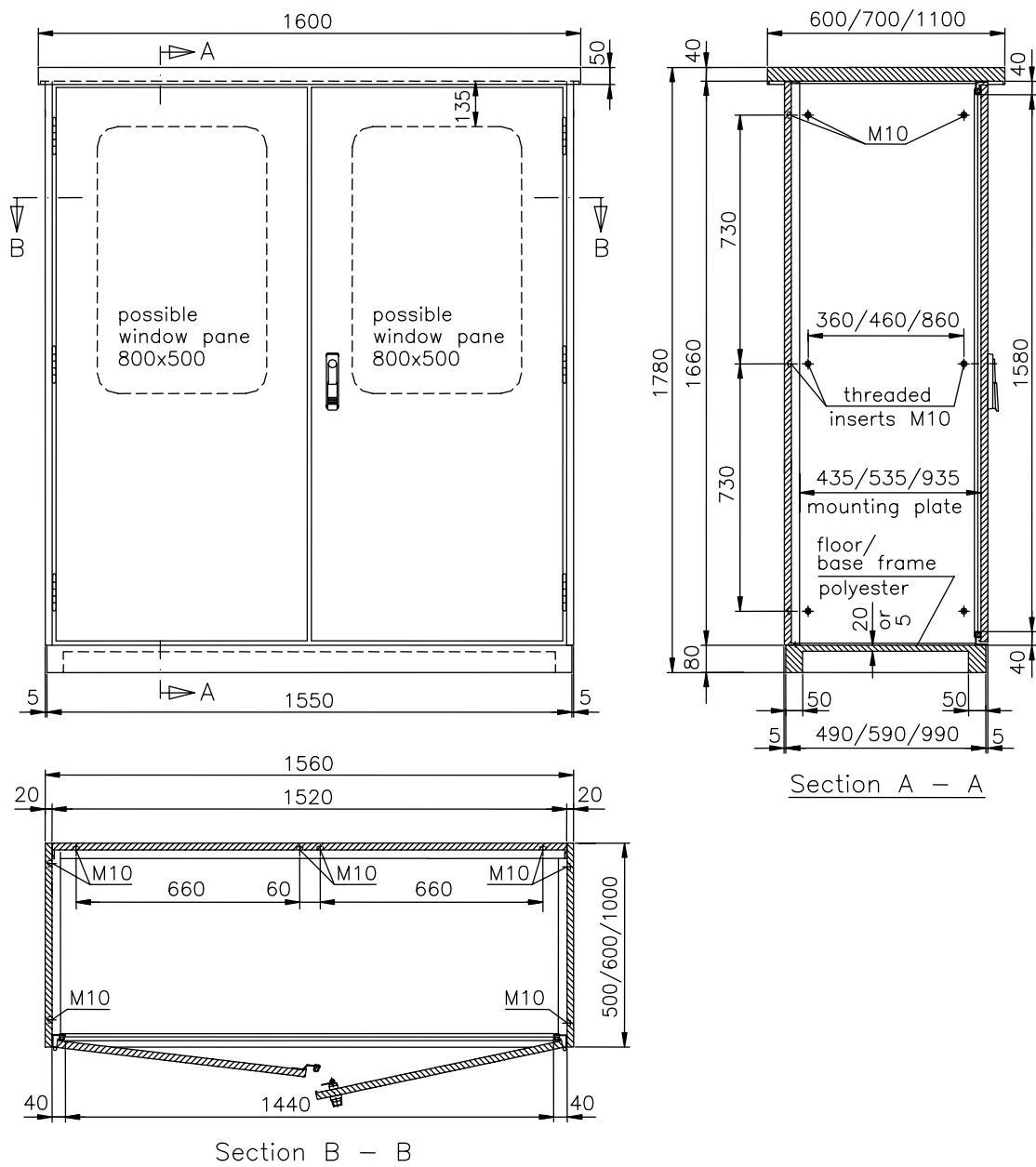
Sandwich component construction, thermal conductivity  $k = 1.2 \text{ W/m}^2\text{K}$ , protective system IP 54, RAL 7035

Design: 2-leaf door in front (...-20), 2-leaf door one each in front and rear side (...-22)

Other technical data and extra equipment: page 4.00

- E 04-1560- 500-20** (wt appr. 115 kg) • **E 04-1560- 500-22** (wt appr. 123 kg) • depth of cabinet 500 mm
- E 04-1560- 600-20** (wt appr. 124 kg) • **E 04-1560- 600-22** (wt appr. 132 kg) • depth of cabinet 600 mm
- E 04-1560-1000-20** (wt appr. 161 kg) • **E 04-1560-1000-22** (wt appr. 169 kg) • depth of cabinet 1000 mm

**Mounting plate:** h = 1570 mm, w = 1420 mm (or 2x 700 mm), weight appr. 45 kg (or 2x appr. 25 kg)





## E 04-1760

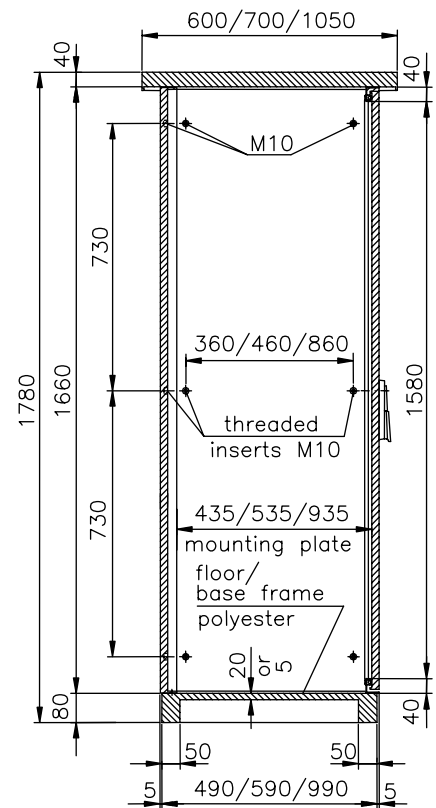
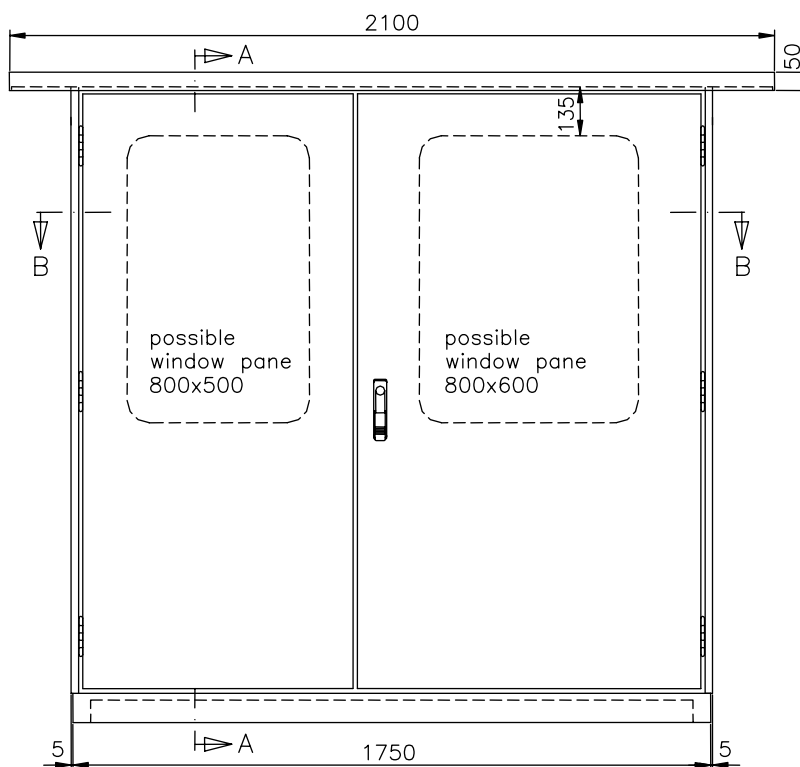
Sandwich component construction, thermal conductivity  $k = 1.2 \text{ W/m}^2\text{K}$ , protective system IP 54, RAL 7035

Design: 2-leaf door in front (...-20), 2-leaf door one each in front and rear side (...-22)

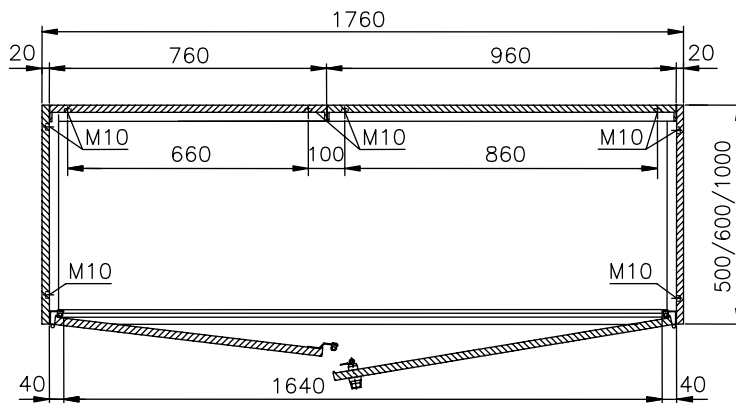
Other technical data and extra equipment: page 4.00

- E 04-1760- 500-20** (wt appr. 126 kg) • **E 04-1760- 500-22** (wt appr. 134 kg) • depth of cabinet 500 mm
- E 04-1760- 600-20** (wt appr. 136 kg) • **E 04-1760- 600-22** (wt appr. 144 kg) • depth of cabinet 600 mm
- E 04-1760-1000-20** (wt appr. 182 kg) • **E 04-1760-1000-22** (wt appr. 190 kg) • depth of cabinet 1000 mm

**Mounting plate:** h = 1570 mm, w = 700 + 900 mm, weight appr. 25 + 30 kg



Section A - A



Section B - B

## E 04-1760

Sandwich component construction, thermal conductivity  $k = 1.2 \text{ W/m}^2\text{K}$ , protective system IP 65, RAL 7035

Design: two 1-leaf doors in front (...-10+10)

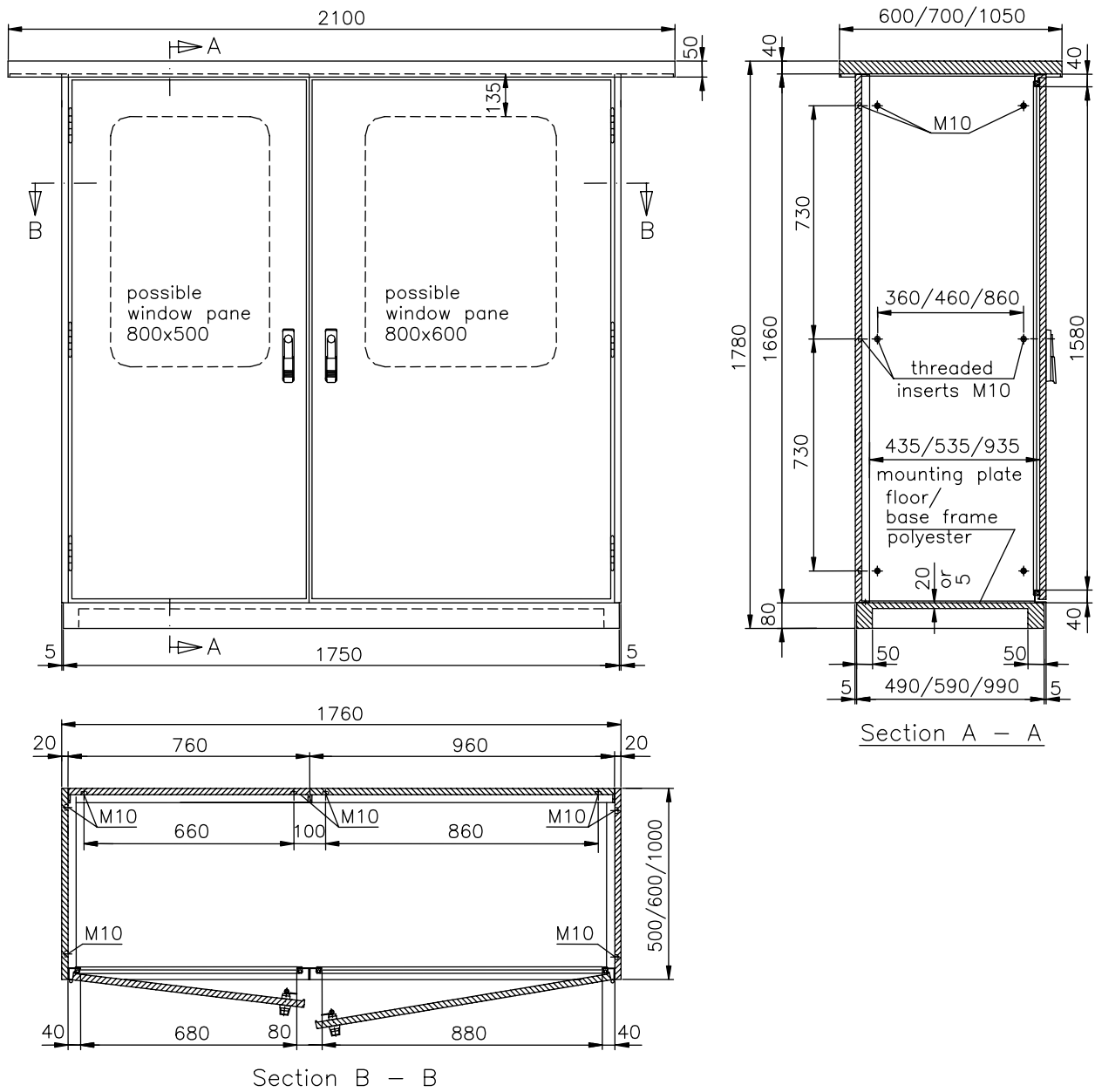
Other technical data and extra equipment: page 4.00

**E 04-1760- 500-10+10** (weight appr. 127 kg) • depth of cabinet 500 mm

**E 04-1760- 600-10+10** (weight appr. 137 kg) • depth of cabinet 600 mm

**E 04-1760-1000-10+10** (weight appr. 183 kg) • depth of cabinet 1000 mm

**Mounting plates:** h = 1570 mm, w = 700 + 900 mm, weight appr. 30 + 25 kg



## E 04-2000

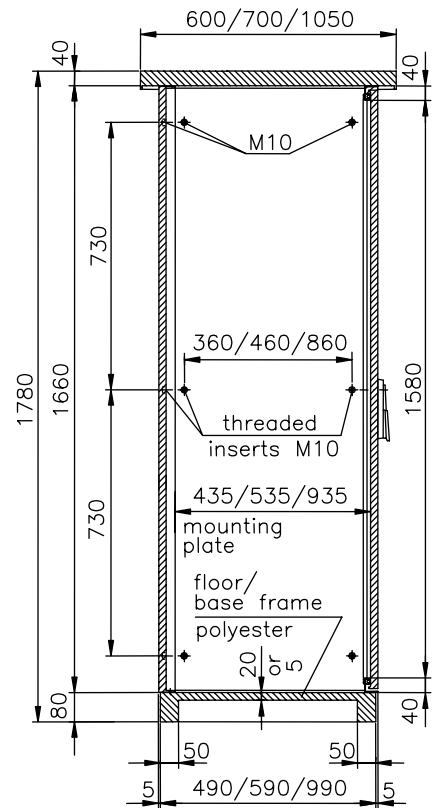
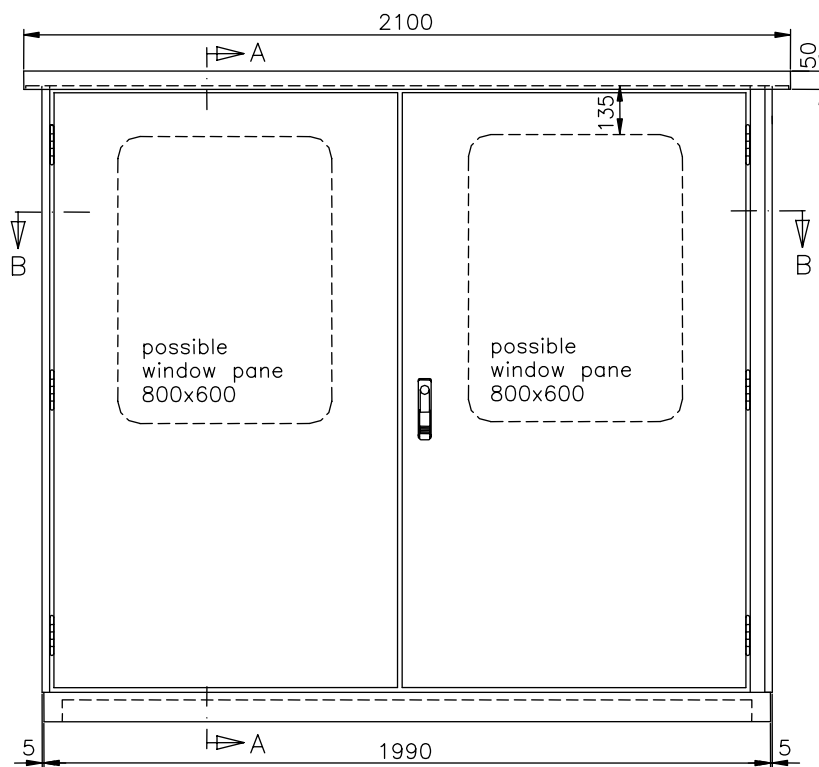
Sandwich component construction, thermal conductivity  $k = 1.2 \text{ W/m}^2\text{K}$ , protective system IP 54, RAL 7035

Design: 2-leaf door in front (...-20), 2-leaf door one each in front and rear side (...-22)

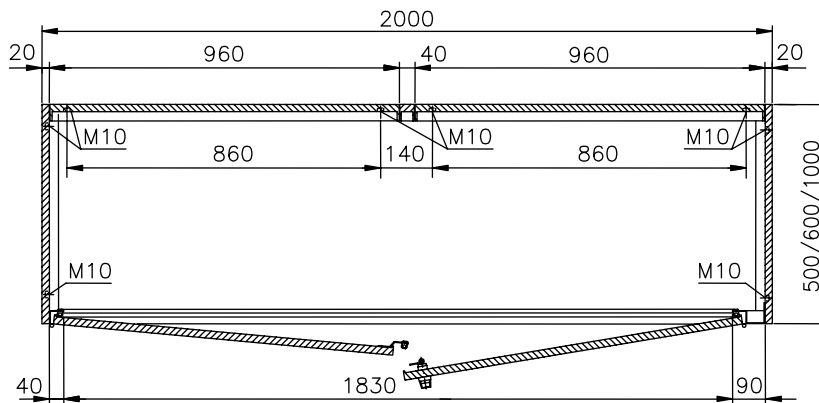
Other technical data and extra equipment: page 4.00

- |  |   |  |   |                          |
|--|---|--|---|--------------------------|
| <b>E 04-2000- 500-20</b> (wt appr. 140 kg) | • | <b>E 04-2000- 500-22</b> (wt appr. 148 kg) | • | depth of cabinet 500 mm  |
| <b>E 04-2000- 600-20</b> (wt appr. 150 kg) | • | <b>E 04-2000- 600-22</b> (wt appr. 158 kg) | • | depth of cabinet 600 mm  |
| <b>E 04-2000-1000-20</b> (wt appr. 195 kg) | • | <b>E 04-2000-1000-22</b> (wt appr. 203 kg) | • | depth of cabinet 1000 mm |

**Mounting plate:** 2 pieces  $h = 1570 \text{ mm}$ ,  $w = 900 \text{ mm}$ , weight each appr. 30 kg



Section A - A



Section B - B





## E 04-2360

Sandwich component construction, thermal conductivity  $k = 1.2 \text{ W/m}^2\text{K}$ , protective system IP 54, RAL 7035

Design: 2-leaf door in front (...-20), 2-leaf door one each in front and rear side (...-22)

Other technical data and extra equipment: page 4.00

- |  |   |  |   |                          |
|--|---|--|---|--------------------------|
| <b>E 04-2360- 500-20</b> (wt appr. 168 kg) | • | <b>E 04-2360- 500-22</b> (wt appr. 176 kg) | • | depth of cabinet 500 mm  |
| <b>E 04-2360- 600-20</b> (wt appr. 180 kg) | • | <b>E 04-2360- 600-22</b> (wt appr. 188 kg) | • | depth of cabinet 600 mm  |
| <b>E 04-2360-1000-20</b> (wt appr. 234 kg) | • | <b>E 04-2360-1000-22</b> (wt appr. 242 kg) | • | depth of cabinet 1000 mm |

**Mounting plate:** 2 pieces  $h = 1570 \text{ mm}$ ,  $w = 1100 \text{ mm}$ , weight each appr. 38 kg

