

Series KS

Sandwich design 20 mm, thermal conductivity $k = 1.2 \text{ W/m}^2\text{K}$

- For wall mounting by hanging and standing installation
- Torsion resistant, self-supporting casing without joints, corrosion and seawater resistant
- Outstanding thermal insulation through the double shelled sandwich construction
- Gelcoat surface for extreme life span, colour RAL 7035
- Doors in torsion resistant sandwich construction, 20 mm thickness
- 1-leaf doors (...-10) protective system IP 65 and 2-leaf doors (...-20) protective system IP 54
- Large front opening 180 ° with integrated drain strip and sturdy hinges of stainless steel
- 3-point latching with lift-and-swivel handle (closure no. 0526), prepared for half profile cylinder
- Threaded inserts M10 made of stainless steel inside the rear wall

Manufacturing Program:

cabinet dimensions h x w x d	cabinet model	page
530 x 380 x 240.....	KS 530-380-240- 10.....	3.001
600 x 500 x **.....	KS 600-500-**-10.....	3.01
600 x 1000 x **.....	KS 600-1000-**-20.....	3.02
700 x 500 x **.....	KS 700-500-**-10.....	3.03
750 x 750 x *.....	KS 750-750-*-10.....	3.04
800 x 1000 x ***.....	KS 800-1000-***-20.....	3.05
1000 x 600 x **.....	KS 1000-600-**-10.....	3.06
1000 x 800 x ***.....	KS 1000-800-***-10.....	3.07
1000 x 1000 x ***.....	KS 1000-1000-***-10.....	3.08
1000 x 1000 x ***.....	KS 1000-1000-***-20.....	3.09
1100 x 1100 x ****.....	KS 1100-1100-****-10.....	3.10
1100 x 1100 x ****.....	KS 1100-1100-****-10+10.....	3.11
2060 x 900 x *****.....	KS 2060- 900-*****-10.....	3.12
1400 x 1300 x ****.....	KS 1400-1300-****-20.....	3.13
1400 x 1300 x ****.....	KS 1400-1300-****-10+10.....	3.14
1400 x 1600 x ****.....	KS 1400-1600-****-20.....	3.15
1400 x 1600 x ****.....	KS 1400-1600-****-10+10.....	3.16
1400 x 2100 x ****.....	KS 1400-2100-****-20.....	3.17
1400 x 2100 x ****.....	KS 1400-2100-****-10+20.....	3.18

- * depth d = 300 mm, 400 mm
- ** depth d = 300 mm, 450 mm
- *** depth d = 300 mm, 500 mm
- **** depth d = 500 mm, 600 mm
- ***** depth d = 500 mm, 600 mm, 800 mm
- Other depth on request

Order Example:

Switchgear cabinet model KS 800-1000-300-20, mounting plate

KS = series, 800 = height of cabinet (mm), 1000 = width of cabinet (mm), 300 = depth of cabinet (mm), 20 = door arrangement (2-leaf-door in front), extra equipment will be declared behind model number.

Extra Equipment:

- Other RAL colour tone
- Reduced electrical surface resistance in accordance with EN 60079-0 ($<10^9 \Omega$) necessary in ex-proof zone 1
- Profile rubber sealed observation window made of laminated safety glass or acrylic glass in the door
- Double pane equipped window
- Other closure variations (see „Accessories“)
- Half profile cylinder
- Door stop by pressurized spring (see „Accessories“)
- Electrical heating in normal and ex-proof design (see „Heating systems“)
- Steam or hot water heating (see „Heating systems“)
- Cabinet ventilation systems (see „Accessories“)
- Mounting plate, sheet steel 2,5 mm, galvanized (see „Accessories“)
- Assembly rack, C-formed steel, galvanized (see „Accessories“)
- Internal door made of sheet steel, galvanized (see „Accessories“)
- 19" swivel rack, sheet steel, laquered RAL 7035, or galvanized (not for model KS 530-380, KS 600/700-500) (see „Accessories“)
- Lifting eye bolts (see „Accessories“)
- Fixing brackets for wall mounting by hanging to KS 1000-800, from KS 1000-1000 of fastening parts in the rear wall (see „Accessories“)
- Overpressure design
- Cable distribution bases made of fiberglass reinforced polyester (see series „KVS“)

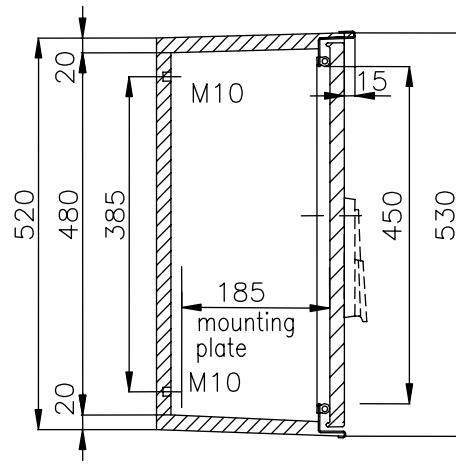
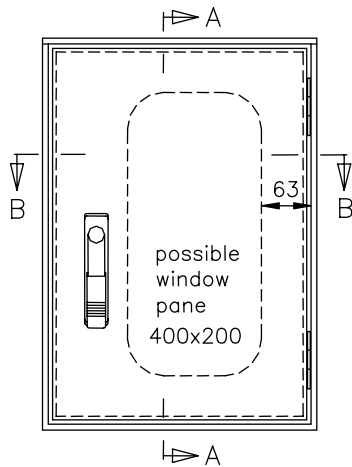


KS 530-380

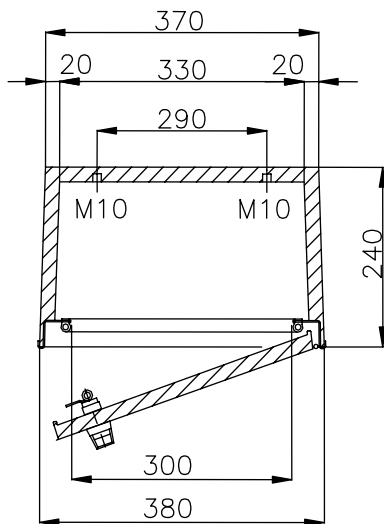
Sandwich construction, thermal conductivity $k = 1,2 \text{ W/m}^2\text{K}$, protective system IP 65, RAL 7035
 Other technical data and extra equipment: page 3.00

KS 530-380-240-10 (weight appr. 11 kg) • depth of cabinet 240 mm

Mounting plate: h = 445 mm, w = 310 mm, weight appr. 3 kg



Section A-A



Section B-B

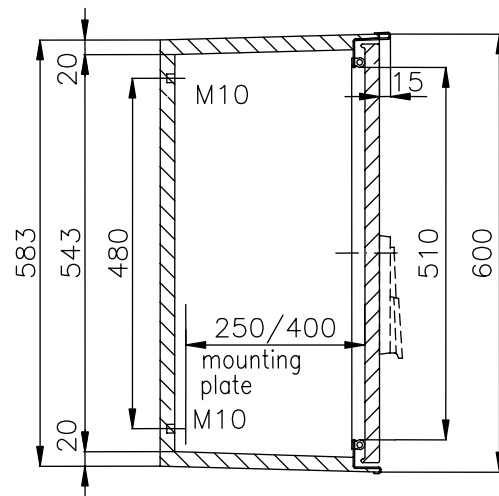
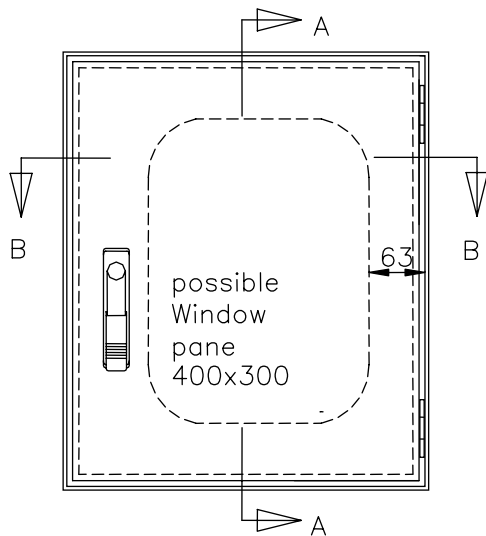
KS 600-500

Sandwich construction, thermal conductivity $k = 1,2 \text{ W/m}^2\text{K}$, protective system IP 65, RAL 7035
 Other technical data and extra equipment: page 3.00

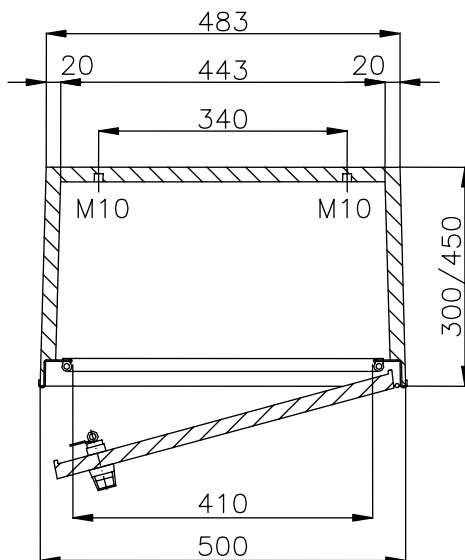
KS 600-500-300-10 (weight appr. 13 kg) • depth of cabinet 300 mm

KS 600-500-450-10 (weight appr. 15 kg) • depth of cabinet 450 mm

Mounting plate: h = 500 mm, w = 400 mm, weight appr. 4 kg



Section A-A



Section B-B

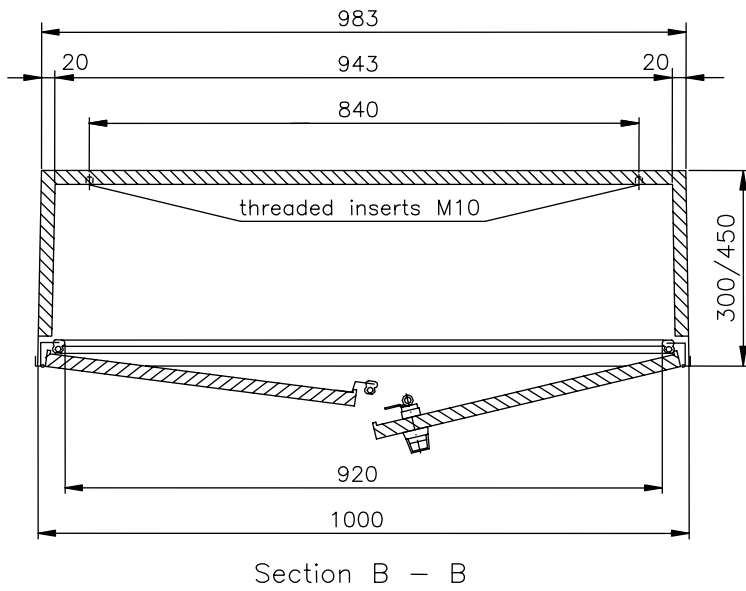
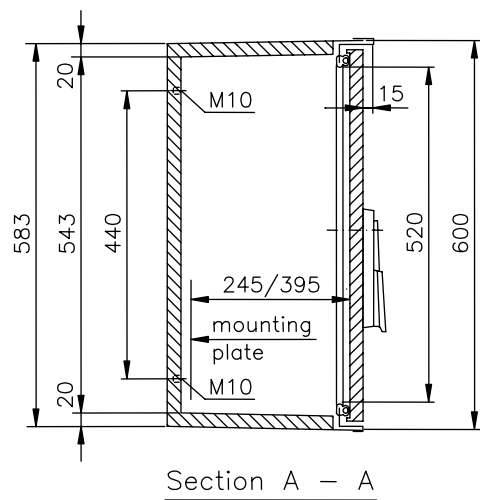
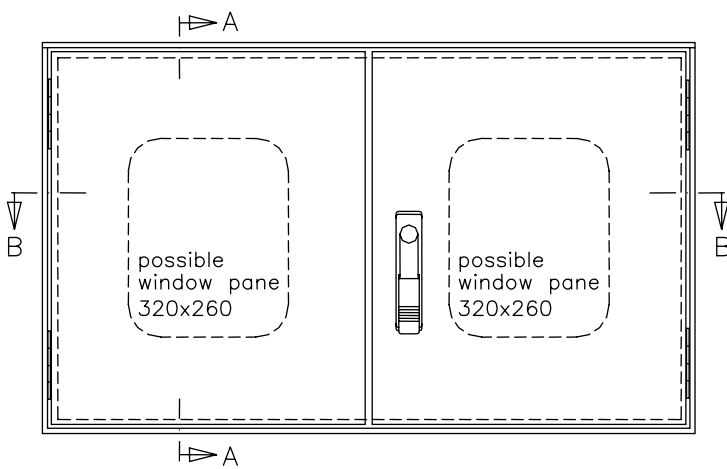
KS 600-1000

Sandwich construction, thermal conductivity $k = 1,2 \text{ W/m}^2\text{K}$, protective system IP 54, RAL 7035
 Other technical data and extra equipment: page 3.00

KS 600-1000-300-20 (weight appr. 22 kg) • depth of cabinet 300 mm

KS 600-1000-450-20 (weight appr. 25 kg) • depth of cabinet 450 mm

Mounting plate: h= 500 mm, w = 900 mm, weight appr. 10 kg



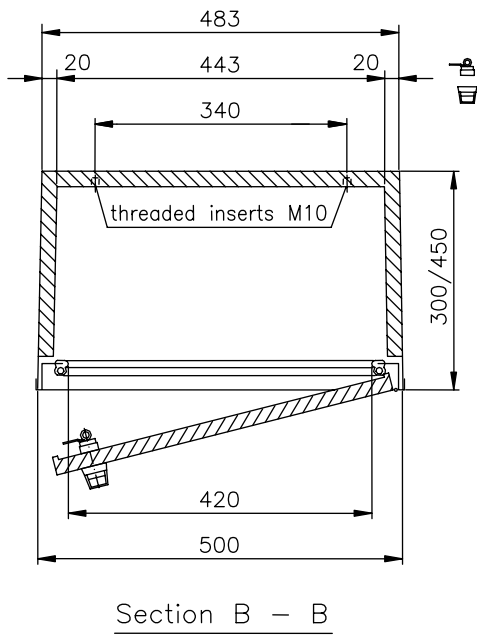
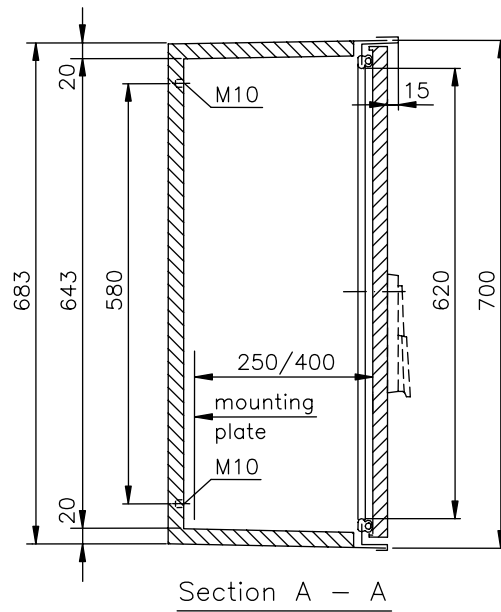
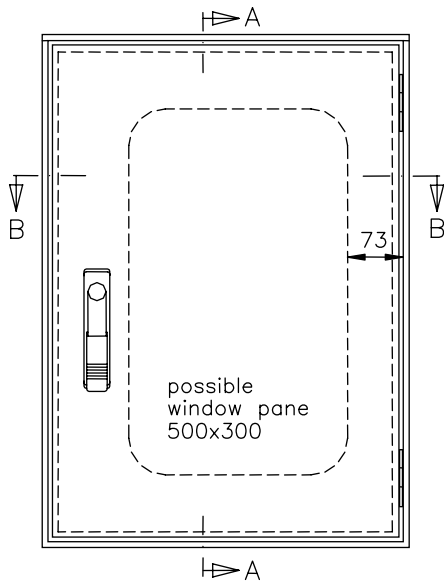
KS 700-500

Sandwich construction, thermal conductivity $k = 1,2 \text{ W/m}^2\text{K}$, protective system IP 65, RAL 7035
 Other technical data and extra equipment: page 3.00

KS 700-500-300-10 (weight appr. 15 kg) • depth of cabinet 300 mm

KS 700-500-450-10 (weight appr. 17 kg) • depth of cabinet 450 mm

Mounting plate: h = 600 mm, w = 400 mm, weight appr. 5 kg



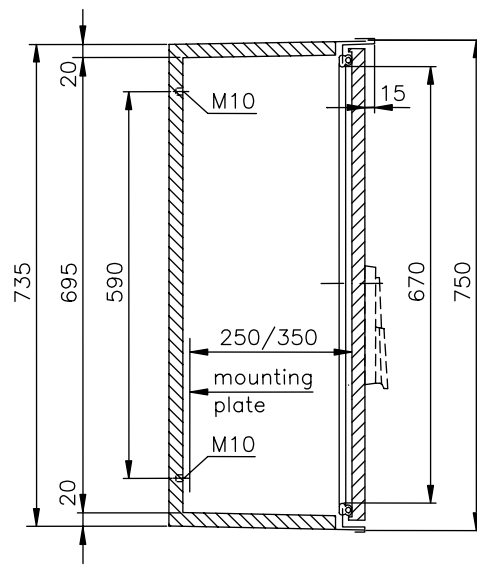
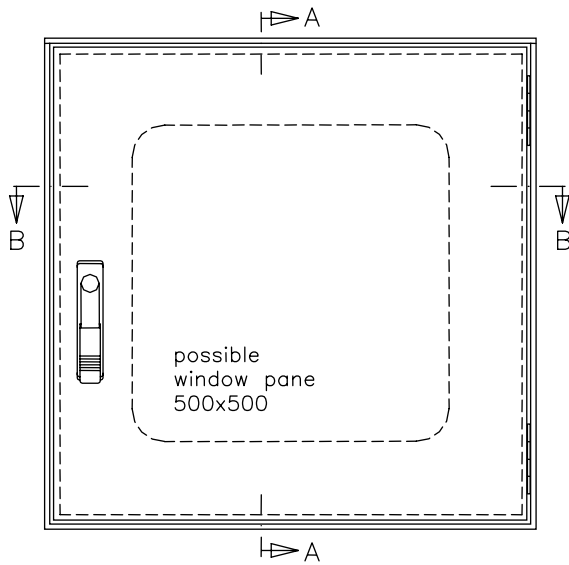
KS 750-750

Sandwich construction, thermal conductivity $k = 1.2 \text{ W/m}^2\text{K}$, protective system IP 65, RAL 7035
 Other technical data and extra equipment: page 3.00

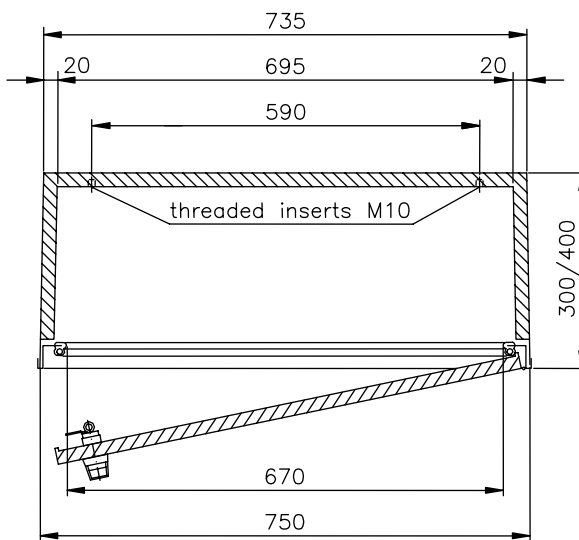
KS 750-750-300-10 (weight appr. 20 kg) • depth of cabinet 300 mm

KS 750-750-400-10 (weight appr. 22 kg) • depth of cabinet 400 mm

Mounting plate: h = 650 mm, w = 650 mm, weight appr. 9 kg



Section A - A



Section B - B

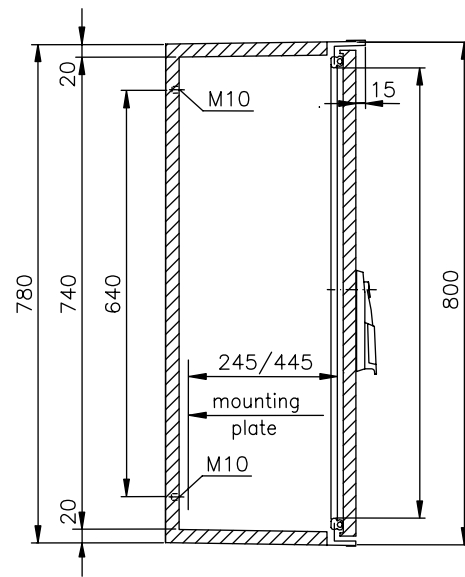
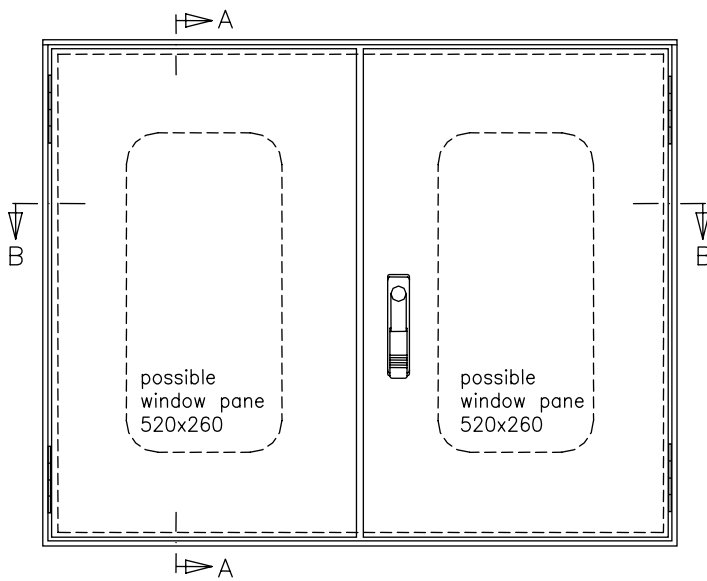
KS 800-1000

Sandwich construction, thermal conductivity $k = 1.2 \text{ W/m}^2\text{K}$, protective system IP 54, RAL 7035
 Other technical data and extra equipment: page 3.00

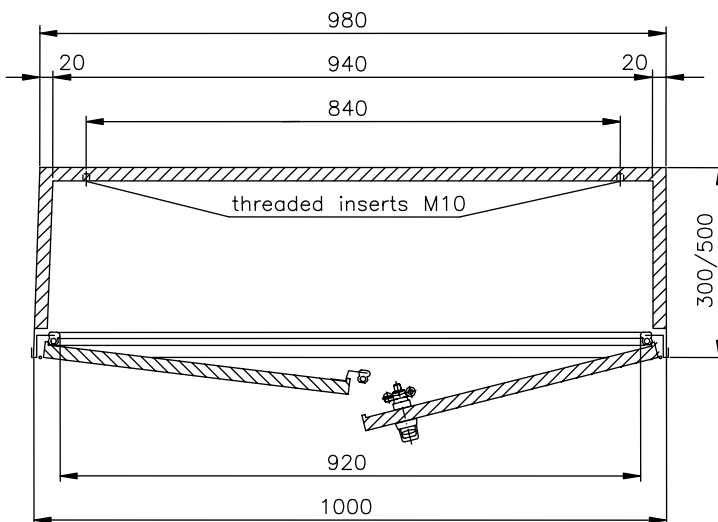
KS 800-1000-300-20 (weight appr. 25 kg) • depth of cabinet 300 mm

KS 800-1000-500-20 (weight appr. 29 kg) • depth of cabinet 500 mm

Mounting plate: h = 700 mm, w = 900 mm, weight appr. 13 kg



Section A - A



Section B - B

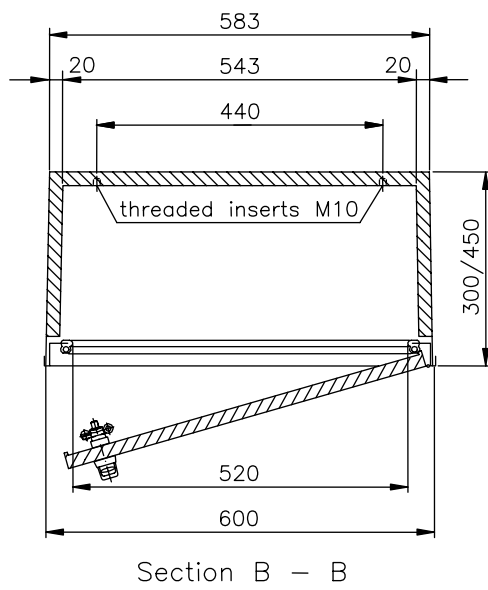
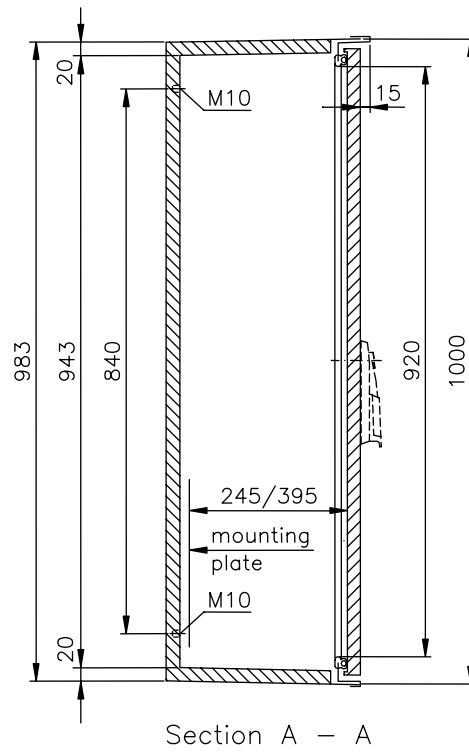
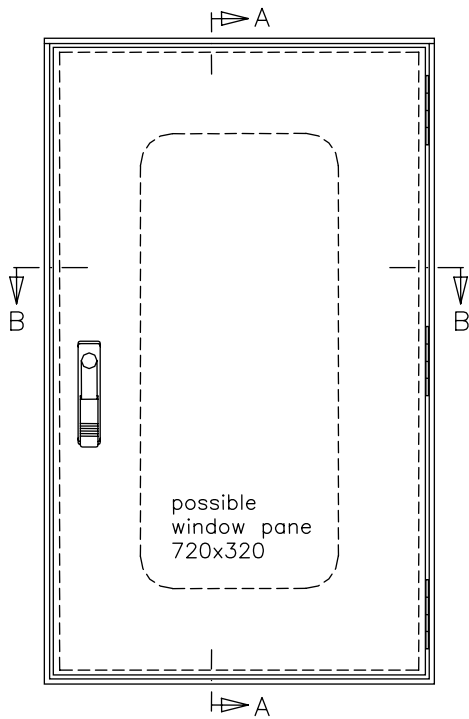
KS 1000-600

Sandwich construction, thermal conductivity $k = 1.2 \text{ W/m}^2\text{K}$, protective system IP 65, RAL 7035
 Other technical data and extra equipment: page 3.00

KS 1000-600-300-10 (weight appr. 21 kg) • depth of cabinet 300 mm

KS 1000-600-450-10 (weight appr. 24 kg) • depth of cabinet 450 mm

Mounting plate: h = 900 mm, w = 500 mm, weight appr. 10 kg



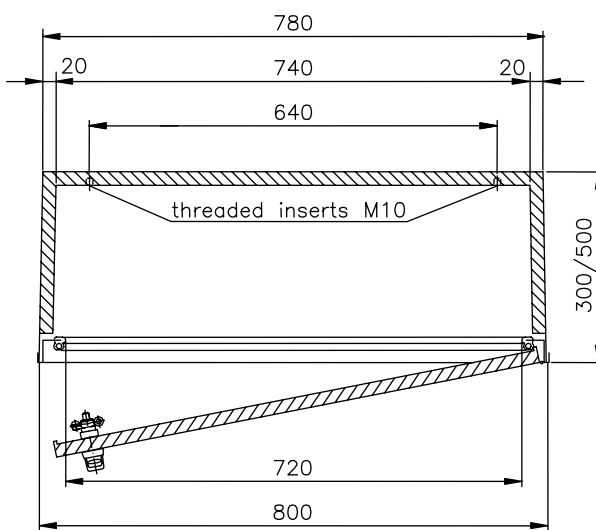
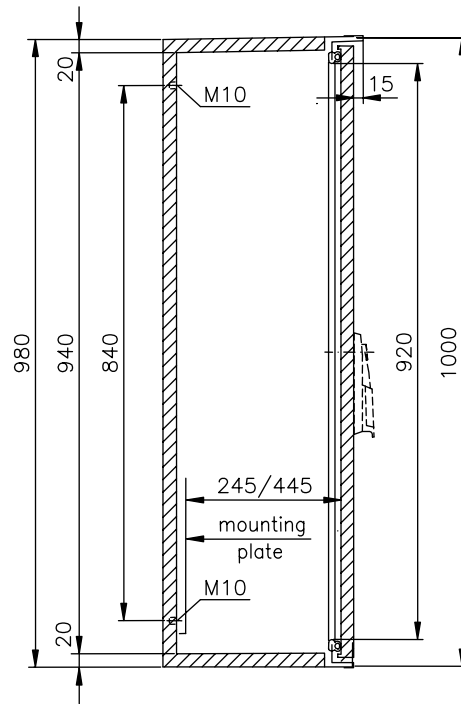
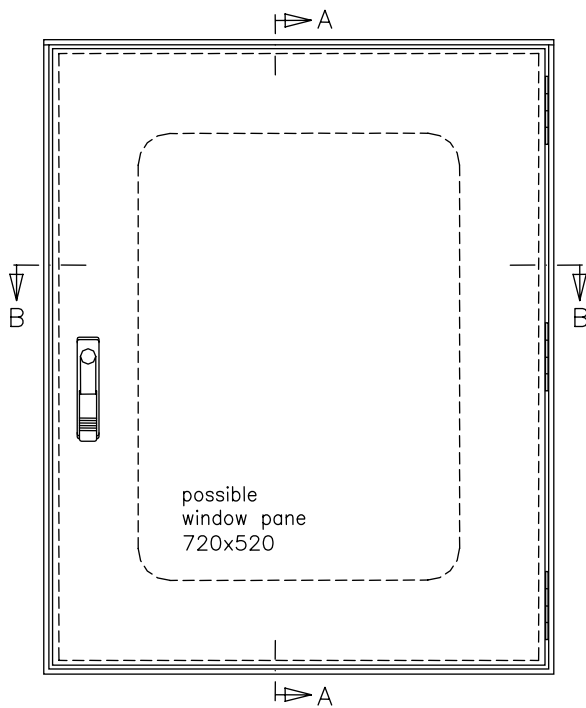
KS 1000-800

Sandwich construction, thermal conductivity $k = 1.2 \text{ W/m}^2\text{K}$, protective system IP 65, RAL 7035
 Other technical data and extra equipment: page 3.00

KS 1000-800-300-10 (weight appr. 26 kg) • depth of cabinet 300 mm

KS 1000-800-500-10 (weight appr. 28 kg) • depth of cabinet 500 mm

Mounting plate: h = 900 mm, w = 700 mm, weight appr. 13 kg



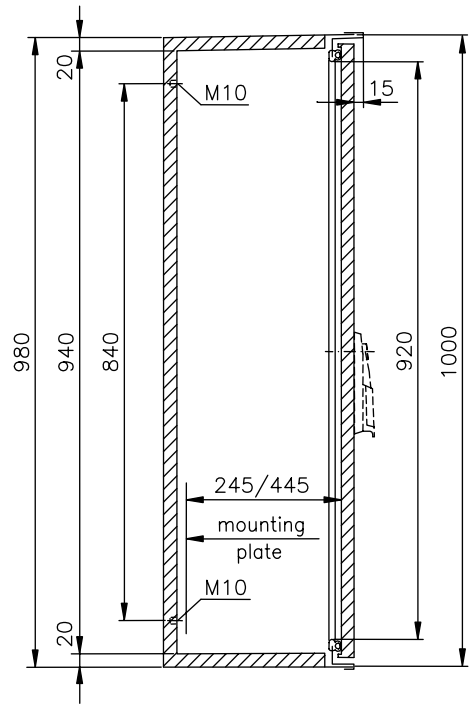
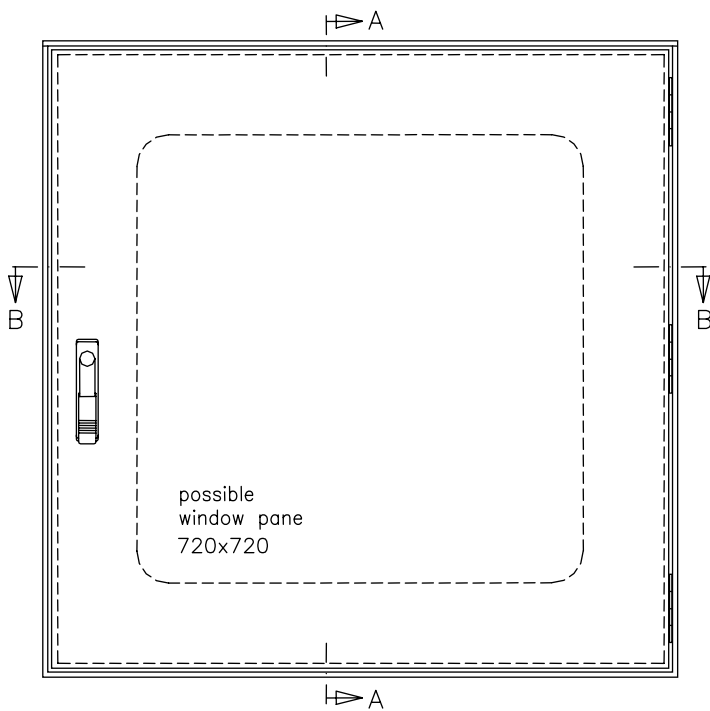
KS 1000-1000

Sandwich construction, thermal conductivity $k = 1.2 \text{ W/m}^2\text{K}$, protective system IP 65, RAL 7035
 Other technical data and extra equipment: page 3.00

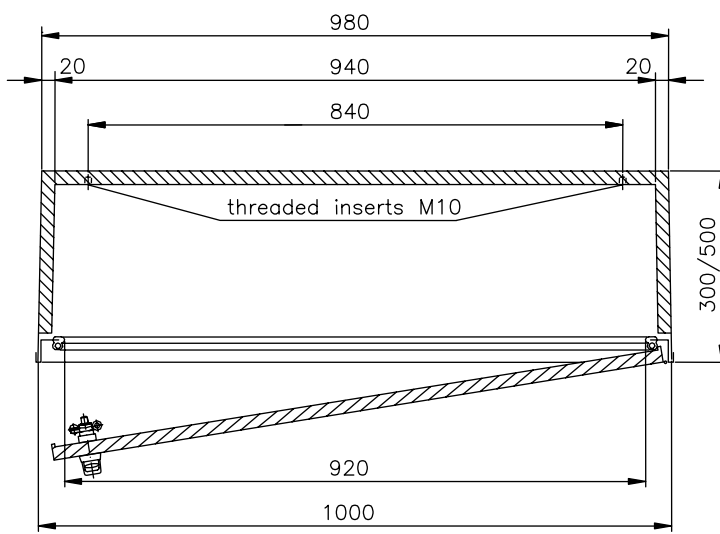
KS 1000-1000-300-10 (weight appr. 30 kg) • depth of cabinet 300 mm

KS 1000-1000-500-10 (weight appr. 33 kg) • depth of cabinet 500 mm

Mounting plate: h = 900 mm, w = 900 mm, weight appr. 16 kg



Section A - A



Section B - B

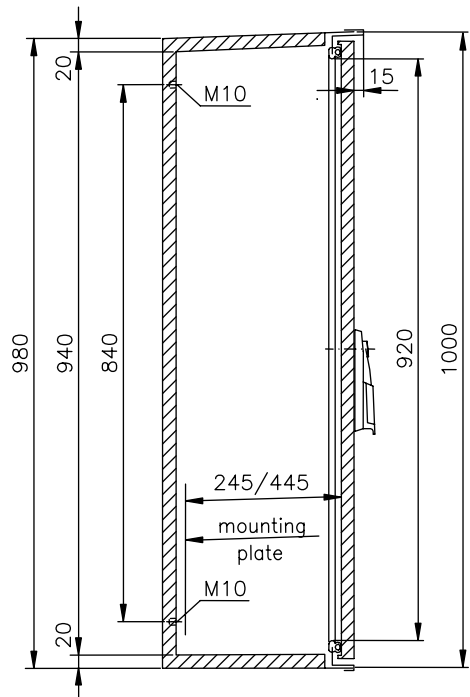
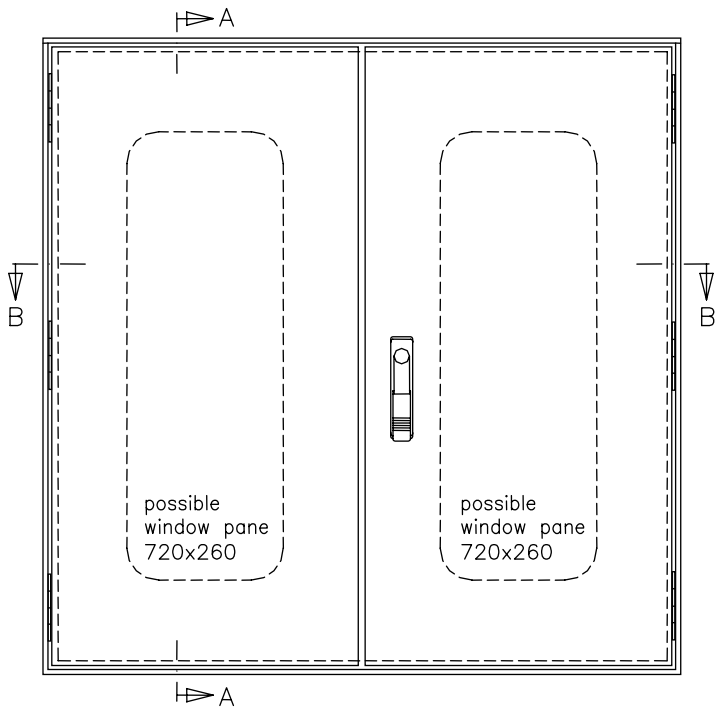
KS 1000-1000

Sandwich construction, thermal conductivity $k = 1.2 \text{ W/m}^2\text{K}$, protective system IP 54, RAL 7035
 Other technical data and extra equipment: page 3.00

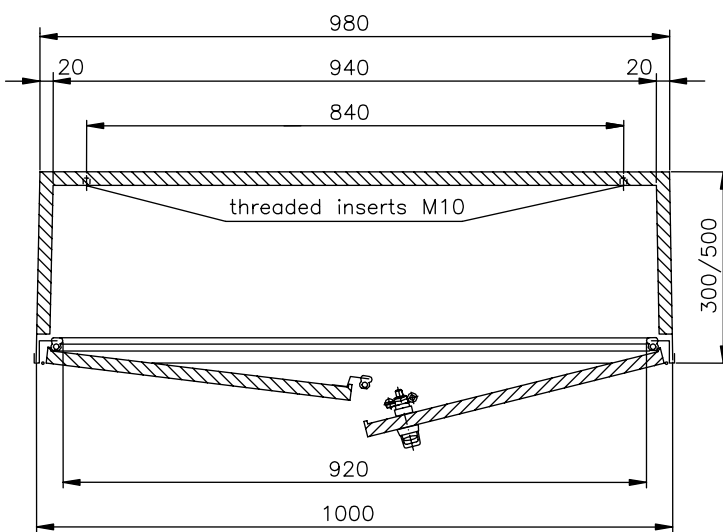
KS 1000-1000-300-20 (weight appr. 31 kg) • depth of cabinet 300 mm

KS 1000-1000-500-20 (weight appr. 34 kg) • depth of cabinet 500 mm

Mounting plate: h = 900 mm, w = 900 mm, weight appr. 16 kg



Section A - A



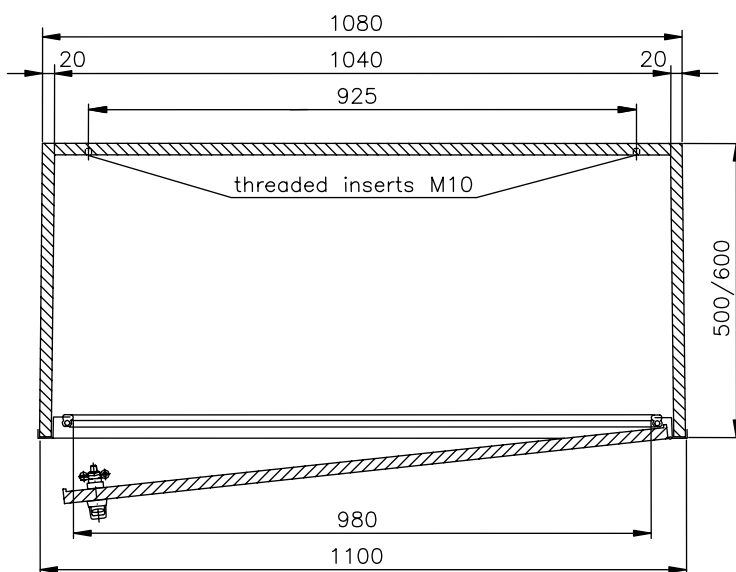
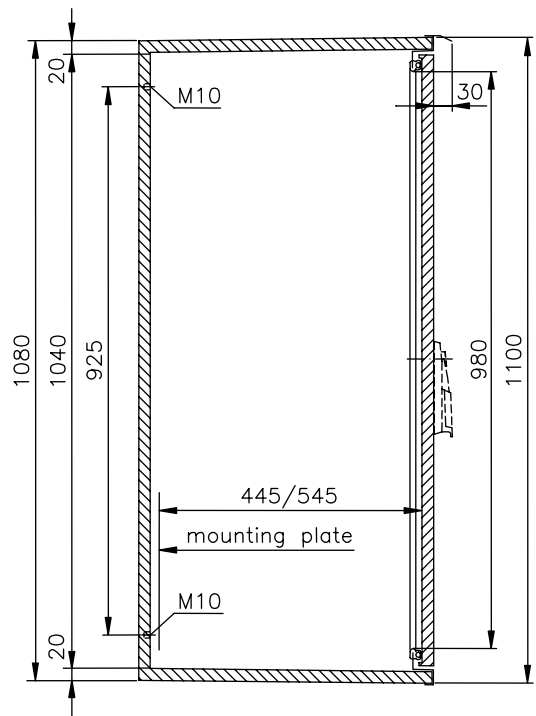
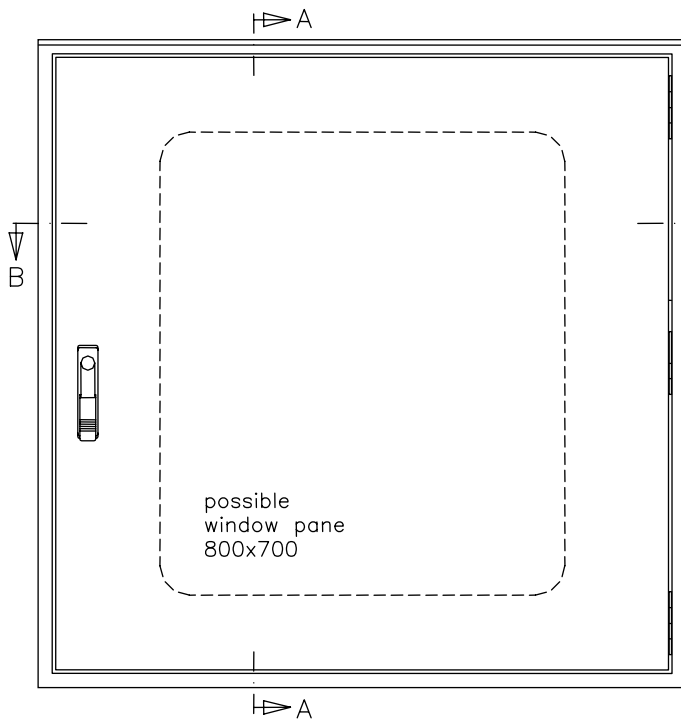
Section B - B

KS 1100-1100

Sandwich construction, thermal conductivity $k = 1.2 \text{ W/m}^2\text{K}$, protective system IP 65, RAL 7035
 Other technical data and extra equipment: page 3.00

- KS 1100-1100-500-10** (weight appr. 41 kg) • depth of cabinet 500 mm (depth of cabinet < 500 mm on request)
- KS 1100-1100-600-10** (weight appr. 48 kg) • depth of cabinet 600 mm

Mounting plate: h = 955 mm, w = 955 mm, weight appr. 19 kg

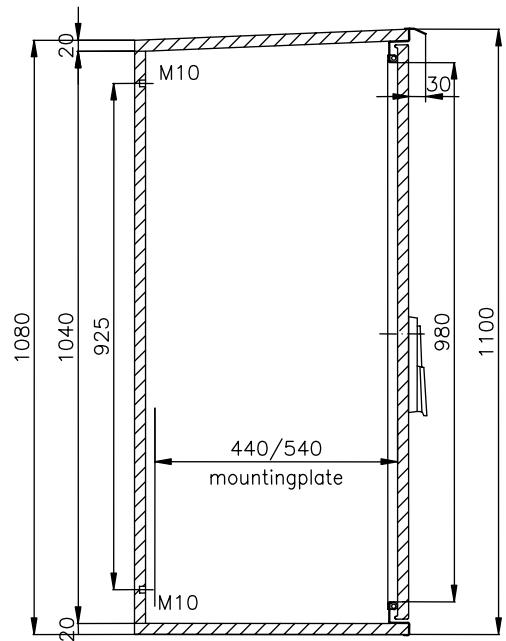
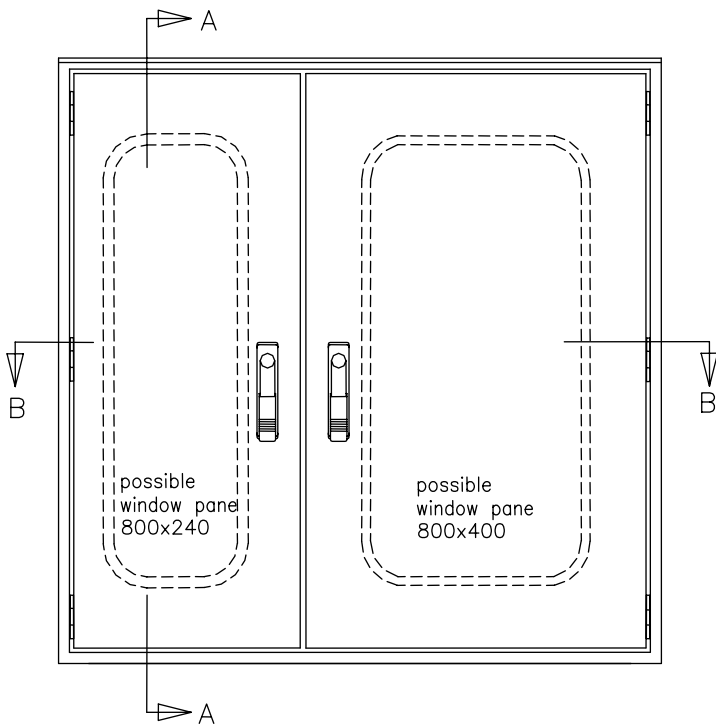


KS 1100-1100

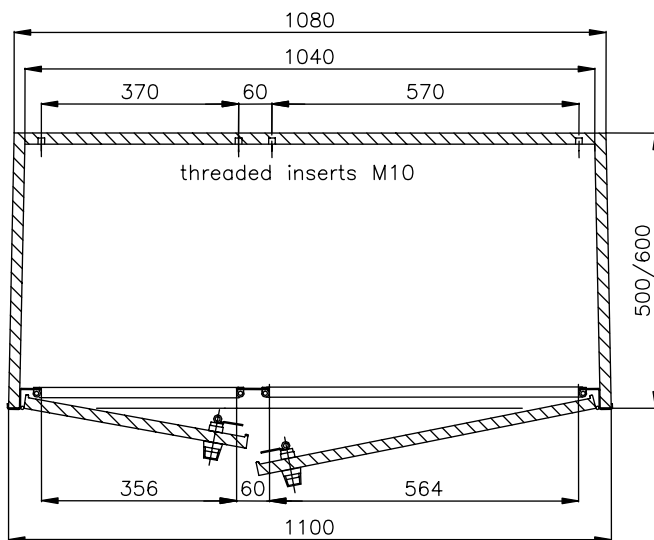
Sandwich construction, thermal conductivity $k = 1.2 \text{ W/m}^2\text{K}$, protective system IP 65, RAL 7035
 Other technical data and extra equipment: page 3.00

- KS 1100-1100-500-10+10** (weight appr. 41 kg) • depth of cabinet 500 mm (depth of cabinet < 500 mm on request)
- KS 1100-1100-600-10+10** (weight appr. 48 kg) • depth of cabinet 600 mm

Mounting plate: h = 955 mm, w = 400+600 mm, weight appr. 8 kg+12 kg



Section A - A



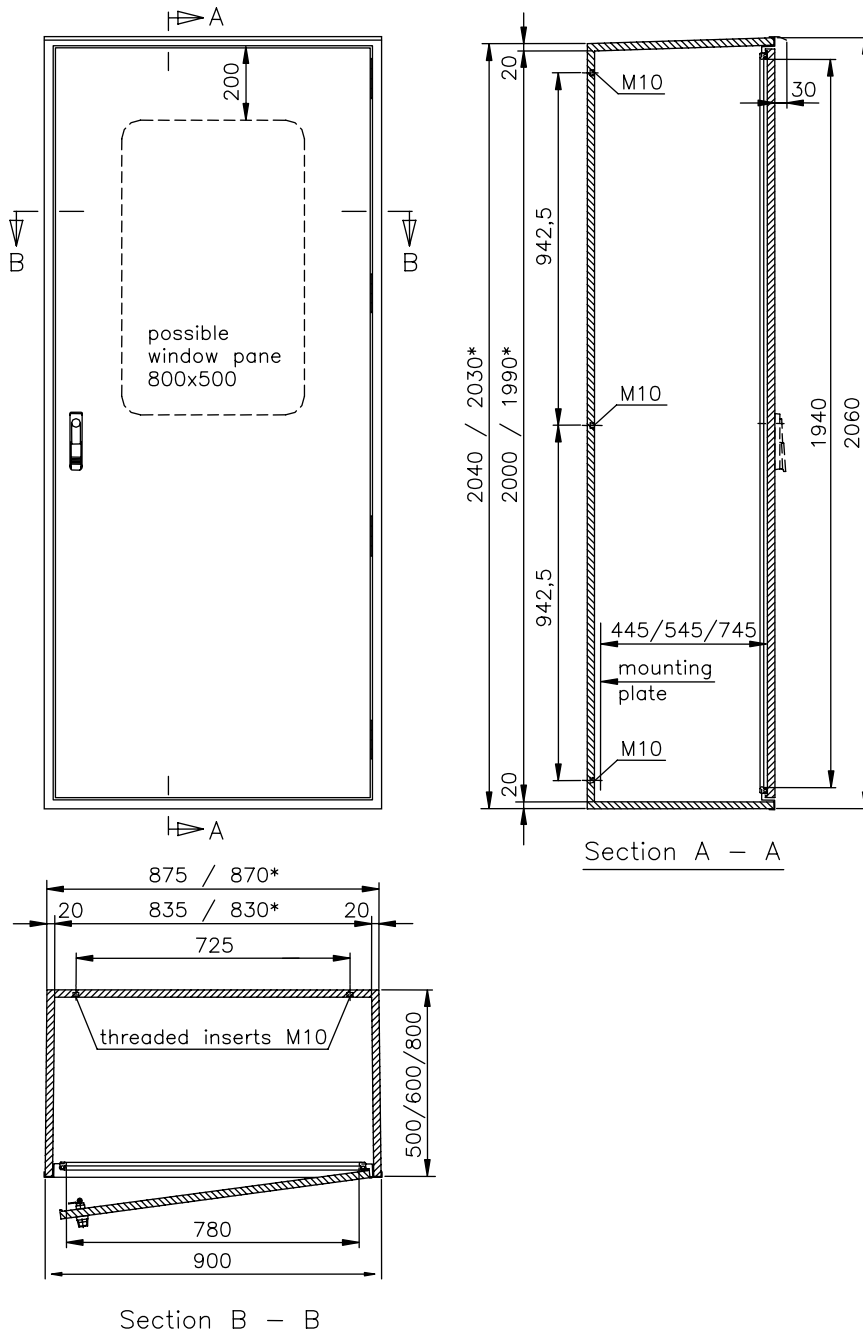
Section B - B

KS 2060-900

Sandwich construction, thermal conductivity $k = 1.2 \text{ W/m}^2\text{K}$, protective system IP 65, RAL 7035
 Other technical data and extra equipment: page 3.00

- KS 2060-900-500-10** (weight appr. 60 kg) • depth of cabinet 500 mm (depth of cabinet < 500 mm on request)
- KS 2060-900-600-10** (weight appr. 70 kg) • depth of cabinet 600 mm
- KS 2060-900-800-10*** (weight appr. 85 kg) • depth of cabinet 800 mm

Mounting plate: h = 1915 mm, w = 755 mm, weight appr. 30 kg

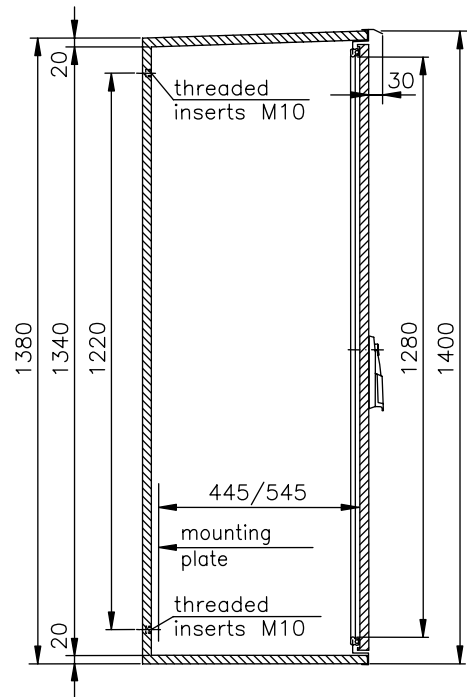
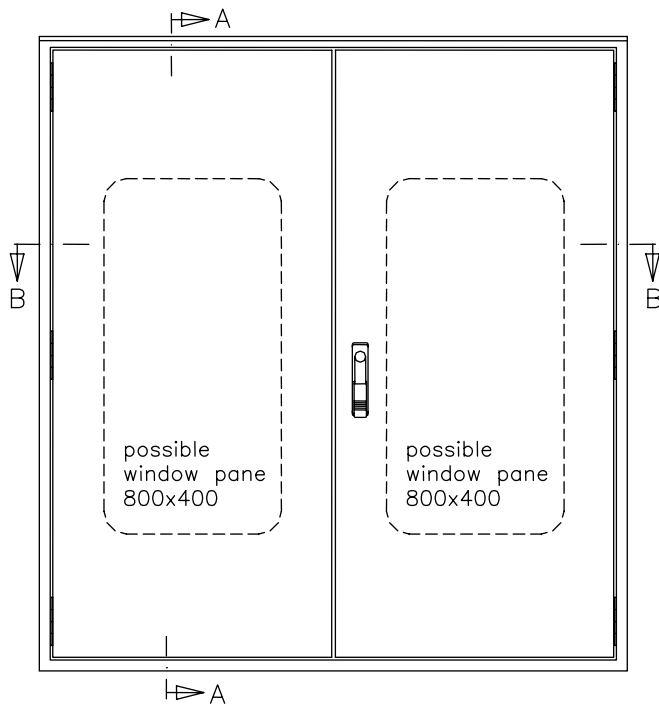


KS 1400-1300

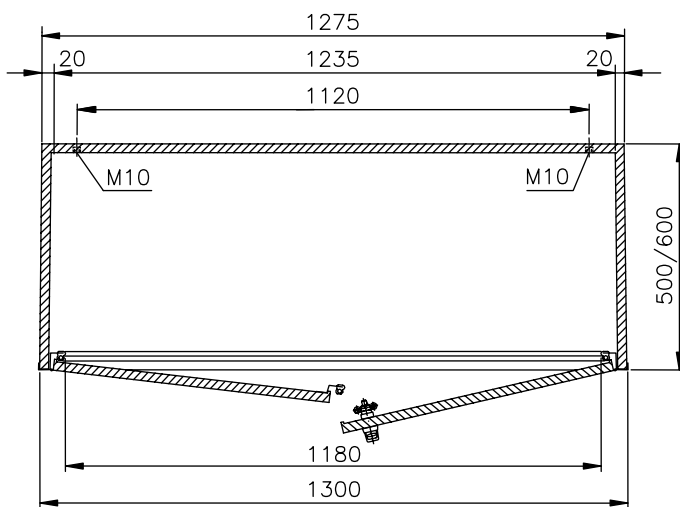
Sandwich construction, thermal conductivity $k = 1,2 \text{ W/m}^2\text{K}$, protective system IP 54, RAL 7035
 Other technical data and extra equipment: page 3.00

- KS 1400-1300-500-20** (weight appr. 58 kg) • depth of cabinet 500 mm (depth of cabinet < 500 mm on request)
- KS 1400-1300-600-20** (weight appr. 63 kg) • depth of cabinet 600 mm

Mounting plate: h = 1250 mm, w = 1160 mm, weight appr. 32 kg



Section A - A



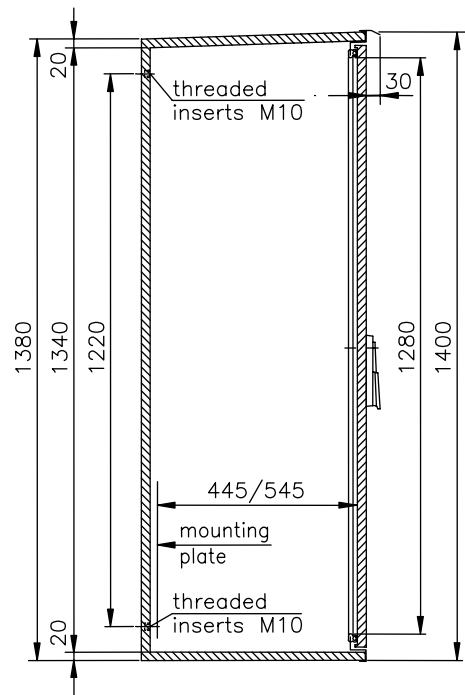
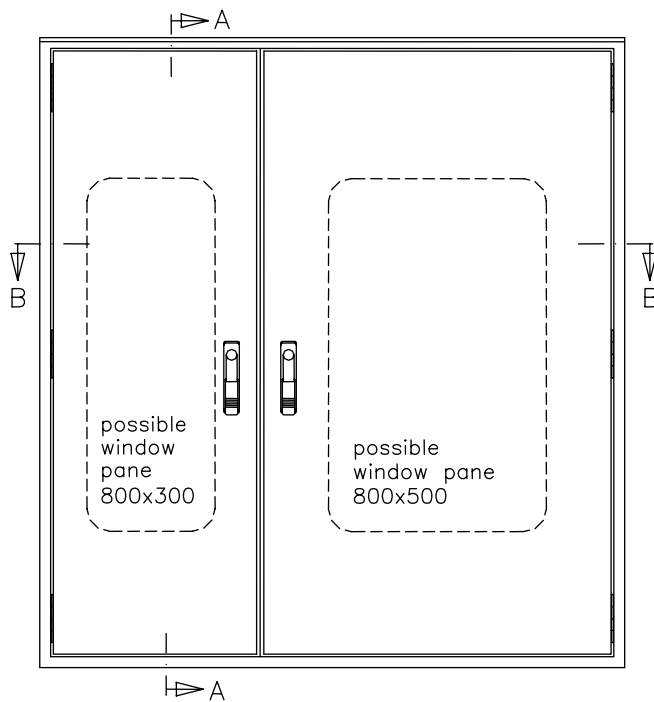
Section B - B

KS 1400-1300

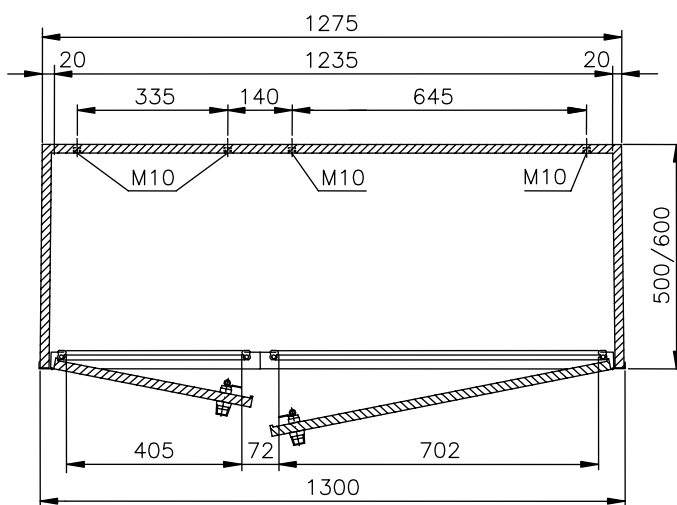
Sandwich construction, thermal conductivity $k = 1,2 \text{ W/m}^2\text{K}$, protective system IP 65, RAL 7035
 Other technical data and extra equipment: page 3.00

- KS 1400-1300-500-10+10** (weight appr. 59 kg) • depth of cabinet 500 mm (depth of cabinet < 500 mm on request)
- KS 1400-1300-600-10+10** (weight appr. 64 kg) • depth of cabinet 600 mm

Mounting plate: h = 1250, w = 375 mm + 685 mm, weight appr. 10 kg + 23 kg



Section A - A



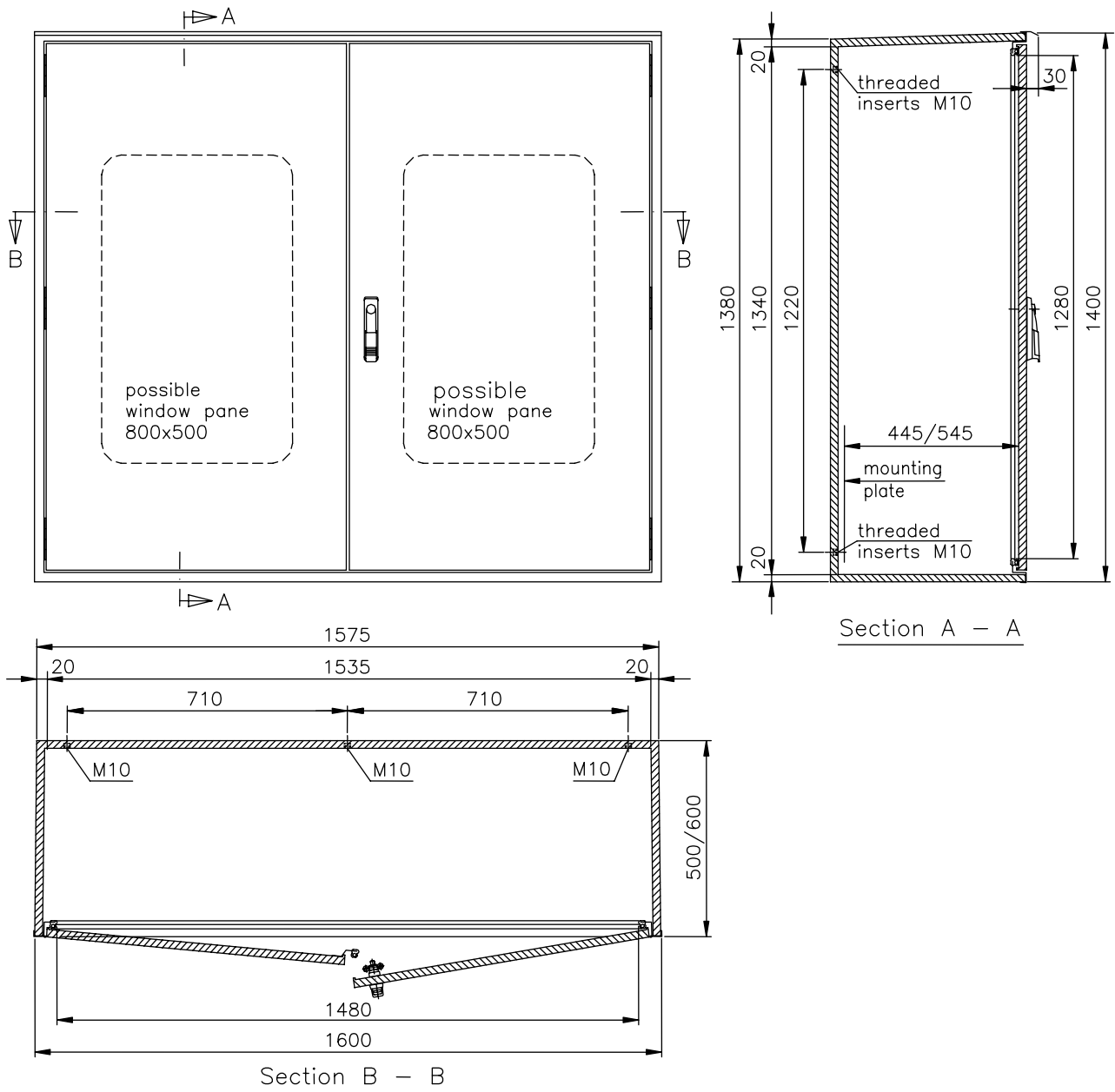
Section B - B

KS 1400-1600

Sandwich construction, thermal conductivity $k = 1,2 \text{ W/m}^2\text{K}$, protective system IP 54, RAL 7035
 Other technical data and extra equipment: page 3.00

- KS 1400-1600-500-20** (weight appr. 68 kg) • depth of cabinet 500 mm (depth of cabinet < 500 mm on request)
- KS 1400-1600-600-20** (weight appr. 74 kg) • depth of cabinet 600 mm

Mounting plate: h = 1250 mm, w = 1460 mm, weight appr. 40 kg

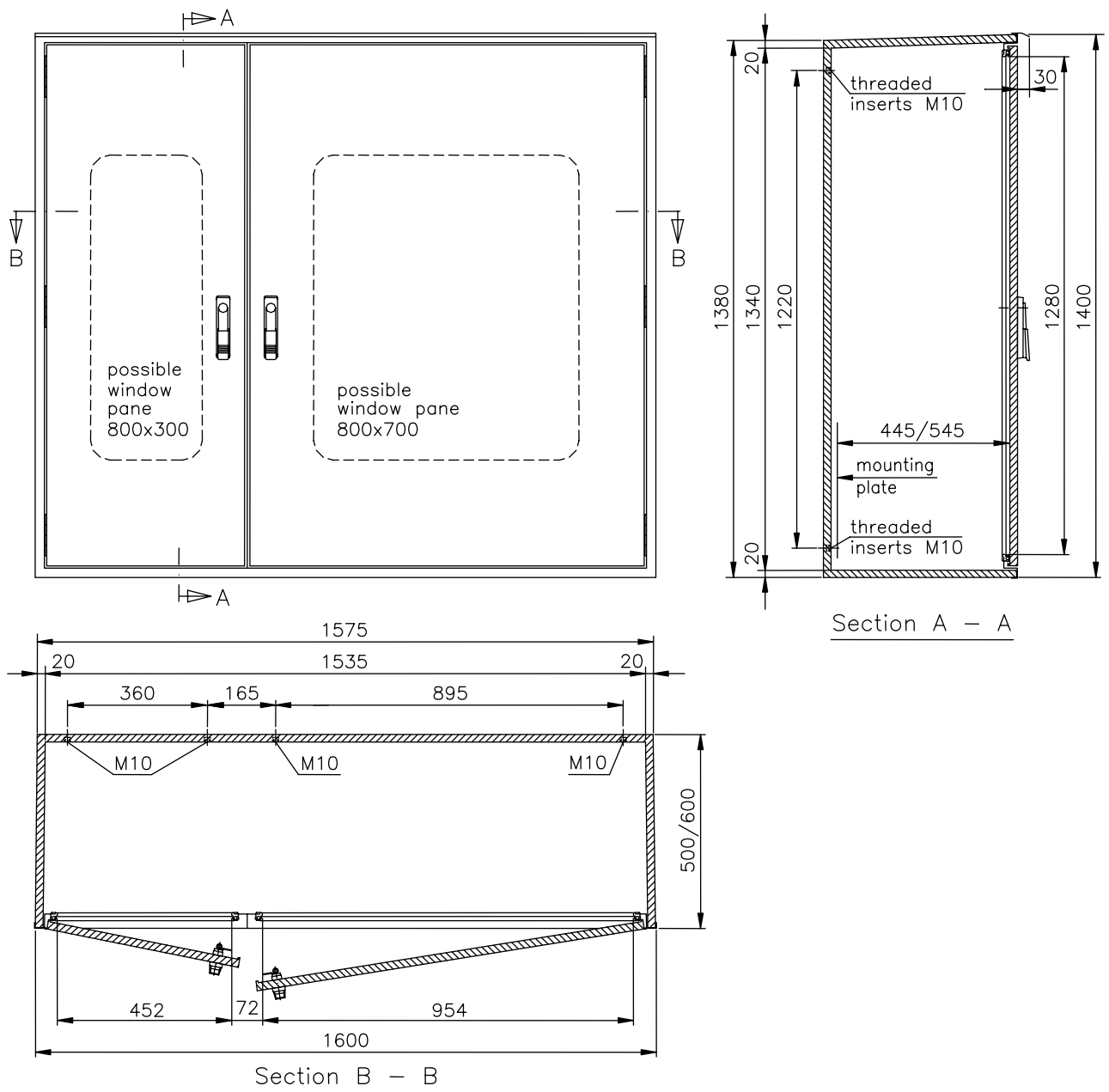


KS 1400-1600

Sandwich construction, thermal conductivity $k = 1,2 \text{ W/m}^2\text{K}$, protective system IP 65, RAL 7035
 Other technical data and extra equipment: page 3.00

- KS 1400-1600-500-10+10** (weight appr. 69 kg) • depth of cabinet 500 mm (depth of cabinet < 500 mm on request)
- KS 1400-1600-600-10+10** (weight appr. 75 kg) • depth of cabinet 600 mm

Mounting plate: h = 1250 mm, w = 400 mm + 935 mm, weight appr. 11 kg + 26 kg

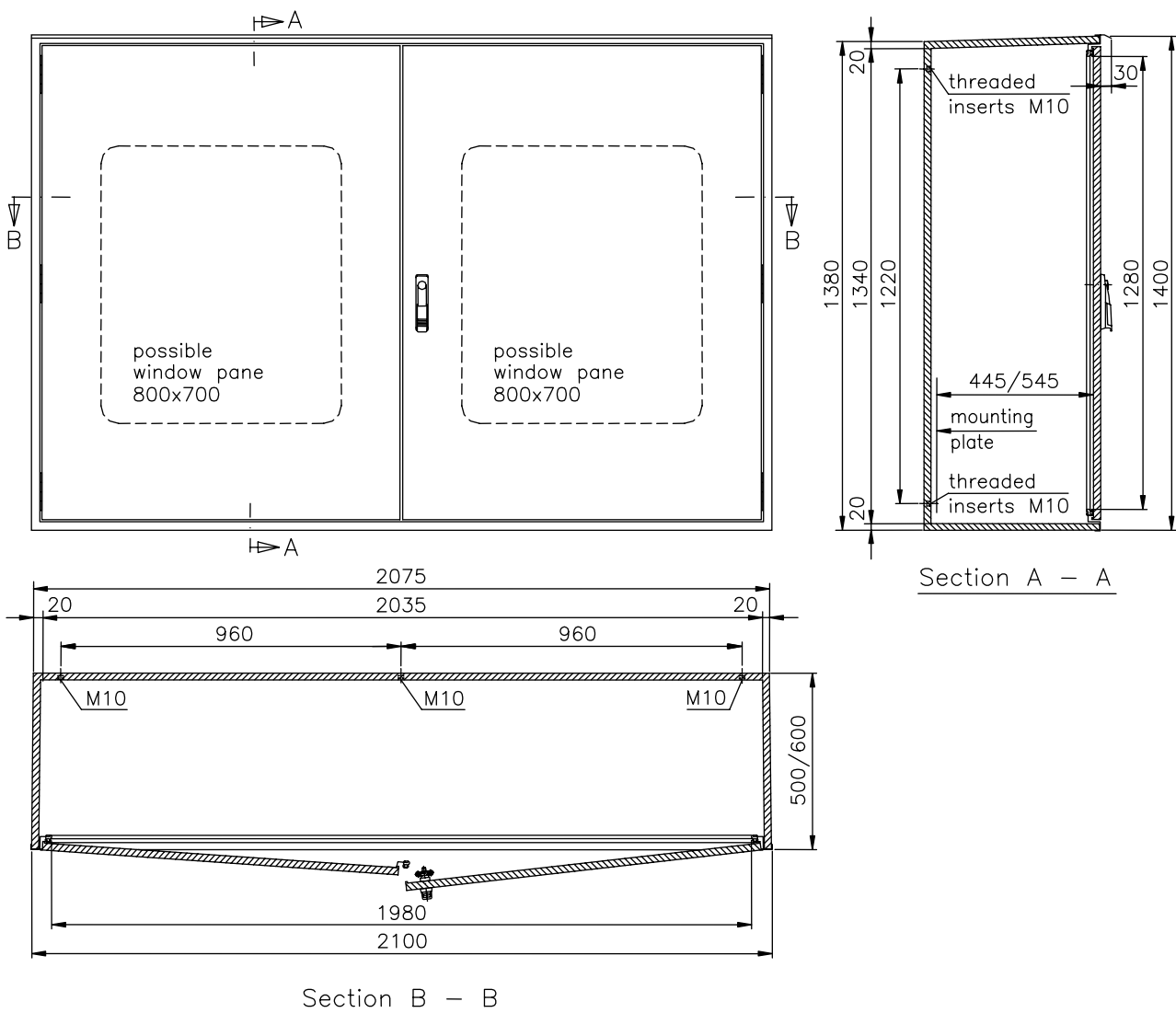


KS 1400-2100

Sandwich construction, thermal conductivity $k = 1,2 \text{ W/m}^2\text{K}$, protective system IP 54, RAL 7035
 Other technical data and extra equipment: page 3.00

- KS 1400-2100-500-20** (weight appr. 91 kg) • depth of cabinet 500 mm (depth of cabinet < 500 mm on request)
- KS 1400-2100-600-20** (weight appr. 99 kg) • depth of cabinet 600 mm

Mounting plate: h = 1250 mm, w = 1960 mm, weight appr. 54 kg



KS 1400-2100

Sandwich construction, thermal conductivity $k = 1,2 \text{ W/m}^2\text{K}$, protective system IP 54, RAL 7035
 Other technical data and extra equipment: page 3.00

KS 1400-2100-500-10+20 (weight appr. 93 kg) • depth of cabinet 500 mm (depth of cabinet < 500 mm on request)

KS 1400-2100-600-10+20 (weight appr. 101 kg) • depth of cabinet 600 mm

Mounting plate: h = 1250 mm, w = 400 mm + 1460 mm, weight appr. 11 kg + 40 kg

